

6/21/2024 4:02 PM

c:\users\dylanwata\building_drops, inc\building_drops landing - common\projects\de la fontaine\fbc-22-0614-1 - fbc submittal - hollow metal swing door (s-cs)\dwg\outswing_glazed\dlf003.dwg

DE LA FONTAINE

OUTSWING DOUBLE & SINGLE GLAZED STEEL DOOR (HVHZ)(IMPACT)



4115 BRODEUR STREET
SHERBROOKE, QC J1L1K4
PH: (819) 821-9230 FX: (819) 569-5928

GENERAL NOTES:

- THE PRODUCT SHOWN HEREIN IS DESIGNED AND MANUFACTURED TO COMPLY WITH THE CURRENT EDITION FLORIDA BUILDING CODE (FBC), INCLUDING HVHZ AND HAS BEEN EVALUATED ACCORDING TO THE FOLLOWING:
 - TAS 201-94
 - TAS 202-94
 - TAS 203-94
 - ASTM E283-04(12)
 - ASTM E330-14(21)
- ADEQUACY OF THE EXISTING STRUCTURAL CONCRETE/MASONRY AND 2X FRAMING AS A MAIN WIND FORCE RESISTING SYSTEM CAPABLE OF WITHSTANDING AND TRANSFERRING APPLIED PRODUCT LOADS TO THE FOUNDATION IS THE RESPONSIBILITY OF THE ENGINEER OR ARCHITECT OF RECORD FOR THE PROJECT OF INSTALLATION.
- 1X AND 2X BUCKS (WHEN USED) SHALL BE DESIGNED AND ANCHORED TO PROPERLY TRANSFER ALL LOADS TO THE STRUCTURE. BUCK DESIGN AND ANCHOR LAYOUT IS THE RESPONSIBILITY OF THE ENGINEER OR ARCHITECT OF RECORD FOR THE PROJECT OF INSTALLATION.
- THE INSTALLATION DETAILS DESCRIBED HEREIN ARE GENERIC AND MAY NOT REFLECT ACTUAL CONDITIONS FOR A SPECIFIC SITE. IF SITE CONDITIONS CAUSE INSTALLATION TO DEVIATE FROM THE REQUIREMENTS DETAILED HEREIN, A LICENSED ENGINEER OR ARCHITECT SHALL PREPARE SITE SPECIFIC DOCUMENTS FOR USE WITH THIS DOCUMENT.
- THIS PRODUCT IS LARGE AND SMALL MISSILE IMPACT RESISTANT APPROVED IMPACT PROTECTIVE SYSTEM IS **NOT REQUIRED** ON THIS PRODUCT IN AREAS REQUIRING IMPACT RESISTANCE.

CONSTRUCTION NOTES:

- DOOR CONSTRUCTION:
 - PANEL MATERIAL: 18 GA. A40/A60/G90 GALV. STEEL MIN. (0.042" MIN.)
 - OVERALL PANEL THICKNESS: MIN. 1 3/4 INCH TO MAX. 2 1/4 INCH
 - DOOR CORES:
 - HONEYCOMB
 - POLYSTYRENE
 - POLYURETHANE
 - STEEL STIFFENED (POLYSTYRENE OR POLYURETHANE)
 - EDGE SEAMS:
 - STANDARD LOCK WELDED AT THE TOP AND BOTTOM.
 - STANDARD LOCK WITH EPOXY FILLED AND GRINDED SMOOTH SEAM
 - CONTINUOUS WELD LOCK SEAM
 - TWO (2) TOP AND ONE (1) BOTTOM CHANNELS ARE 16 GA. STEEL AND ARE SPOT WELDED TO EACH FACE SHEET 3" O.C.
 - HINGES:
 - HAGER BB1191
 - HAGER BB1168
 - HAGER BB1199
 - HAGER BB1279
 - HAGER 780-112 ROTON
 - HINGE REINFORCEMENTS ARE LOCATED AT EACH HINGE LOCATION.
 - LOCK REINFORCEMENTS ARE USED WHEN APPLICABLE.
- FRAME CONSTRUCTION:
 - FRAME MATERIAL: 16 GA. A40/A60/G90 GALV. STEEL MIN. (0.054" MIN.)
 - FRAME DEPTH: 5.75" MIN. (DOUBLE RETURNS QUALIFIED)
 - CORNER CONSTRUCTION:
 - KNOCK-DOWN
 - FACE WELD
 - FULL WELD
 - HINGE REINFORCEMENT IS LOCATED AT EACH HINGE LOCATION.
 - LOCK STRIKE REINFORCEMENTS ARE USED WHEN APPLICABLE.

TABLE OF CONTENTS	
SHEET	SHEET DESCRIPTION
1	GENERAL & CONSTRUCTION NOTES
2	GLAZING DETAIL & ANCHOR LAYOUT
3	ELEVATIONS
4	ANCHOR LAYOUTS & NOTES
5	VERTICAL SECTIONS
6	HORIZONTAL SECTIONS
7	HORIZONTAL SECTIONS
8	INSTALLATION DETAILS - COMBINATION AND Z ANCHORS
9	INSTALLATION DETAILS - EWA ANCHORS
10	INSTALLATION DETAILS - WIRE/T MASONRY & JAMB BASE ANCHORS
11	INSTALLATION DETAILS & NOTES
12	GASKETING DETAILS FOR WATER INFILTRATION
13	GASKETING DETAILS FOR AIR INFILTRATION
14	THRESHOLD DETAIL & ANCHOR LAYOUT
15	CORNER CONSTRUCTION
16	REINFORCEMENTS
17	REINFORCEMENTS
18	BILL OF MATERIAL

TITLE: OUTSWING DOUBLE & SINGLE GLAZED STEEL DOOR (HVHZ) (IMPACT)
GENERAL & CONSTRUCTION NOTES

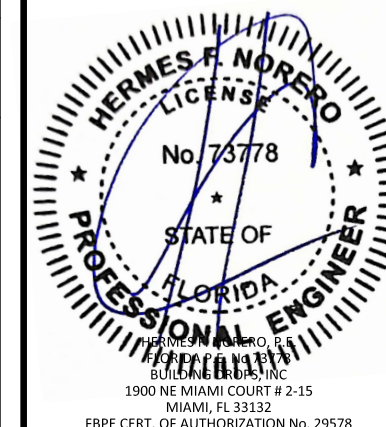
PREPARED BY: BUILDING DROPS, INC.
1900 NE MIAMI COURT, STE. 2-15
MIAMI, FL 33132
PH: (954)399-8478
FAX: (954)744-4738
WEB: www.buildingdrops.com

REMARKS	BY	DATE

THE INSTALLATION DETAILS DESCRIBED HEREIN ARE GENERIC AND MAY NOT REFLECT ACTUAL CONDITIONS FOR A SPECIFIC SITE. IF SITE CONDITIONS CAUSE INSTALLATION TO DEVIATE FROM THE REQUIREMENTS DETAILED HEREIN, A LICENSED ENGINEER OR ARCHITECT SHALL PREPARE SITE SPECIFIC DOCUMENTS FOR USE WITH THIS DOCUMENT.

FLORIDA BUILDING CODE DESIGN PRESSURES					
CONFIGURATION	LATCHING HARDWARE TYPE	LATCHING HARDWARE SERIES	*WHERE WATER INFILTRATION IS NOT REQUIRED OR IS PROTECTED BY OVERHANG	WHERE WATER INFILTRATION REQUIREMENT IS NEEDED OR IS NOT PROTECTED BY OVERHANG	MISSILE IMPACT RATING
SINGLE	CYLINDRICAL LOCKSET	SCHLAGE D/ND	+/- 50 PSF	+/- 50 PSF	LARGE AND SMALL MISSILE IMPACT RATED
		SARGENT 11	+/- 50 PSF		
		CAL-ROYAL GENESIS	+/- 50 PSF		
	MORTISE LOCKSET WITH DEADBOLT	SCHLAGE L9000	+/- 50 PSF		
		SARGENT 8200	+/- 50 PSF		
	RIM EXIT DEVICE	VON DUPRIN 98/99	+/- 50 PSF		
		CORBIN RUSSWIN ED5200S X M107	+/- 50 PSF		
	SURFACE VERTICAL RODS	VON DUPRIN WS9827/WS9927	+/- 50 PSF		
		CORBIN RUSSWIN ED5470	+/- 50 PSF		
		SCHLAGE D/ND	+/- 50 PSF		
DOUBLE	CYLINDRICAL LOCKSET	SARGENT 11	+/- 50 PSF	NOT APPROVED	LARGE AND SMALL MISSILE IMPACT RATED
		CAL-ROYAL GENESIS	+/- 50 PSF		
		SCHLAGE L9000	+/- 50 PSF		
	MORTISE LOCKSET WITH DEADBOLT	SARGENT 8200	+/- 50 PSF		
		IVES 360	+/- 50 PSF		
	SURFACE BOLTS	SARGENT 998	+/- 50 PSF		
		VON DUPRIN 98/99 WITH HH9954 MULLION	+/- 50 PSF		
	RIM EXIT DEVICE	CORBIN RUSSWIN ED5200S X M107 WITH FE707A MULLION	+/- 50 PSF		
		VON DUPRIN WS9827/WS9927	+/- 50 PSF		
	SURFACE VERTICAL RODS	CORBIN RUSSWIN ED5470	+/- 50 PSF		

*NOTE: UNIT SHALL BE INSTALLED IN NON-HABITABLE LOCATIONS OR AT LOCATION PROTECTED BY OVERHANG SUCH THAT OVERHANG RATIO (OH) = OH LENGTH /OH HEIGHT GREATER THAN 1.



FL46851

DATE: 05.28.24

DWG. BY: DI	CHK. BY: HFN
----------------	-----------------

SCALE: NTS

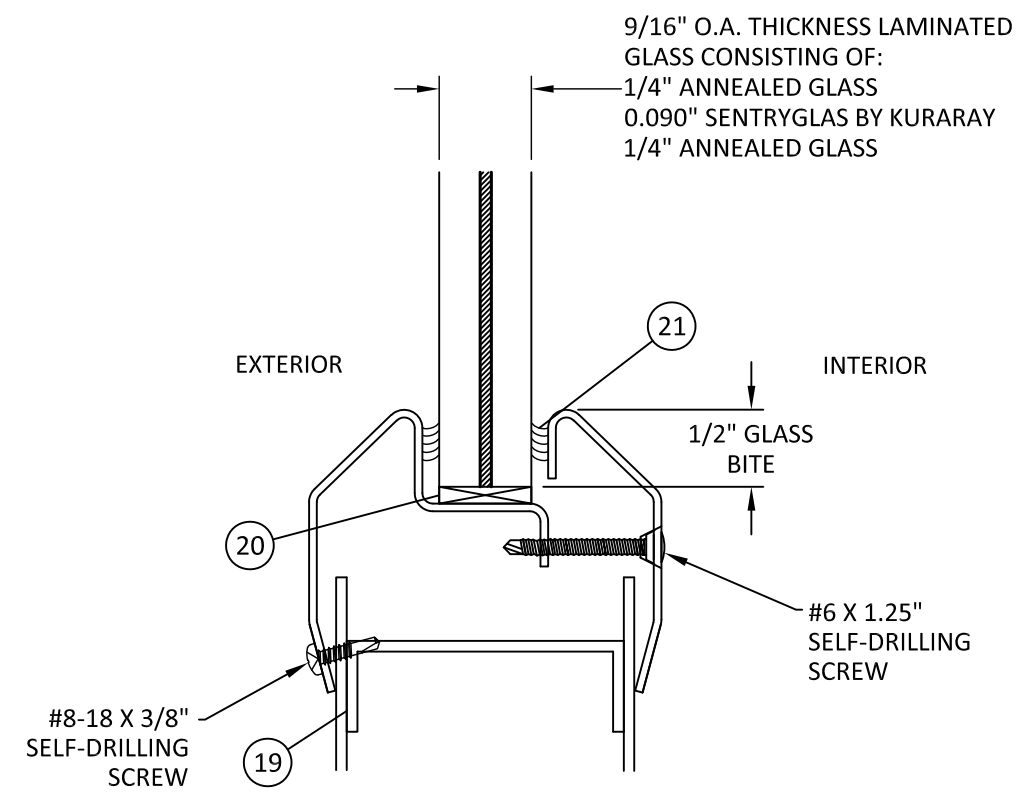
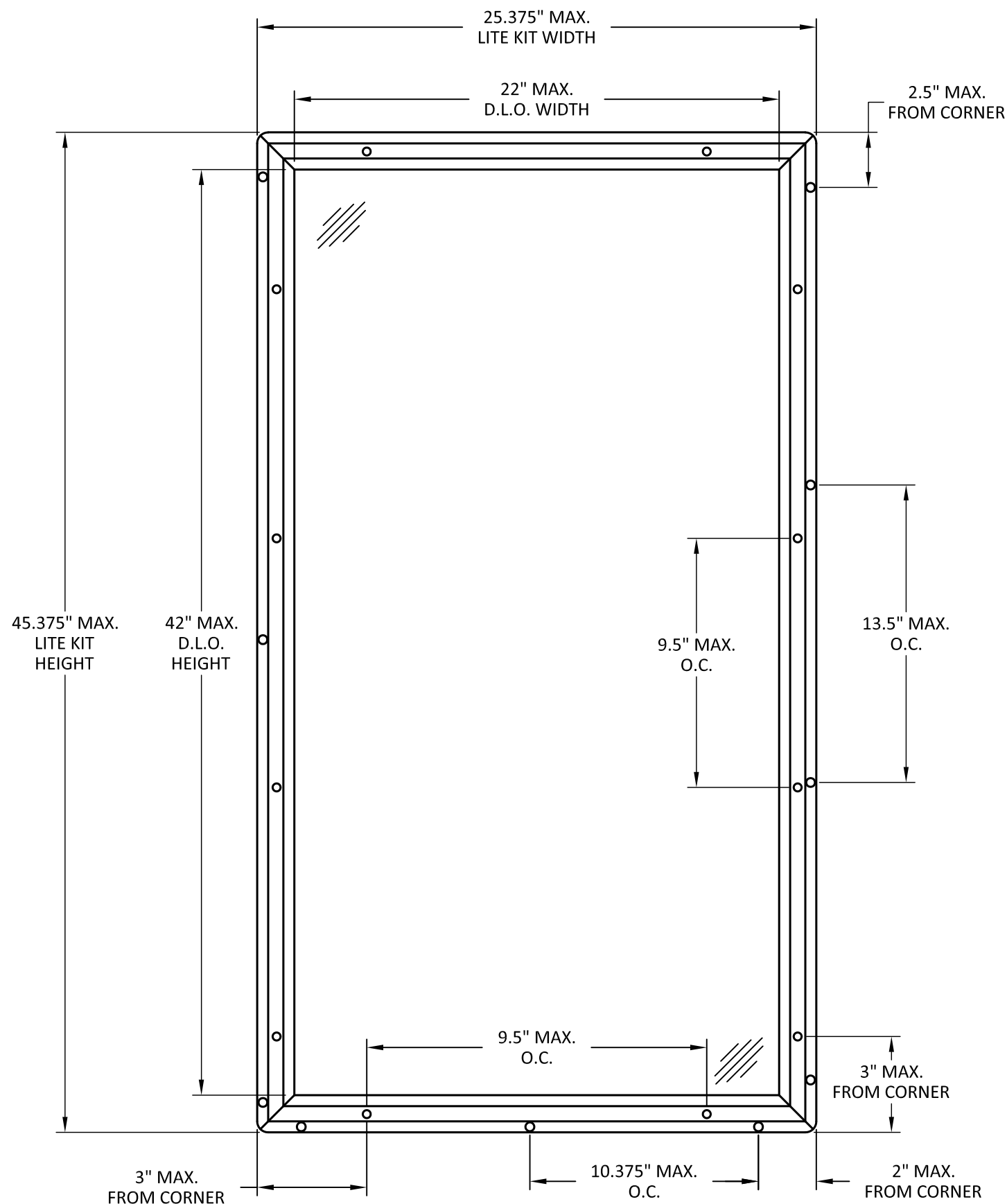
DWG. #: DLF003

SHEET:

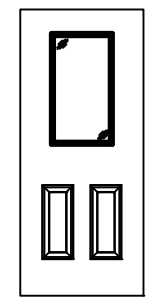
1

OF 18

c:\users\dyanwata\building_drops, inc\building_drops landing - common\projects\de la fontaine\bc-22-0614.1 - fbc submittal - hollow metal swing door is-cs\dwg\outsiding_glazed\dlf003.dwg 6/21/2024 4:02 PM



GLAZING DETAIL



AVAILABLE DOOR PANEL CONFIGURATIONS

NOTE: CUSTOM EMBOSsing AVAILABLE. CONTACT MANUFACTURER FOR MORE INFORMATION.



4115 BRODEUR STREET
 SHERBROOKE, QC J1L1K4
 PH: (819) 821-9230 FX: (819) 569-5928

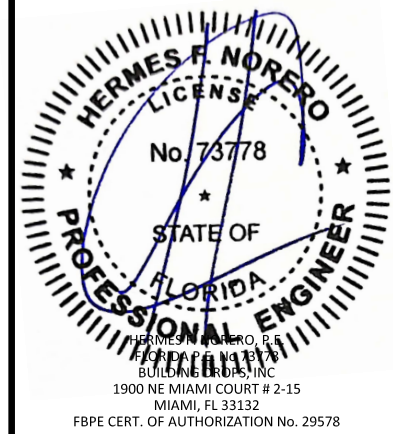
TITLE: OUTSWING DOUBLE & SINGLE GLAZED STEEL DOOR (HVHZ) (IMPACT)
GLAZING DETAIL & ANCHOR LAYOUT

PREPARED BY: BUILDING DROPS, INC.
 1900 NE MIAMI COURT, STE. 2-15
 MIAMI, FL 33132
 PH: (954)399-8478
 FAX: (954)744-4738
 WEB: www.buildingdrops.com



REMARKS	BY	DATE

THE INSTALLATION DETAILS DESCRIBED HEREIN ARE GENERIC AND MAY NOT REFLECT ACTUAL CONDITIONS FOR A SPECIFIC SITE. IF SITE CONDITIONS CAUSE INSTALLATION TO DEVIATE FROM THE REQUIREMENTS DETAILED HEREIN, A LICENSED ENGINEER OR ARCHITECT SHALL PREPARE SITE SPECIFIC DOCUMENTS FOR USE WITH THIS DOCUMENT.



FL46851

DATE: **05.28.24**

DWG. BY: **DI** CHK. BY: **HFN**

SCALE: **NTS**

DWG. #: **DLF003**

SHEET:

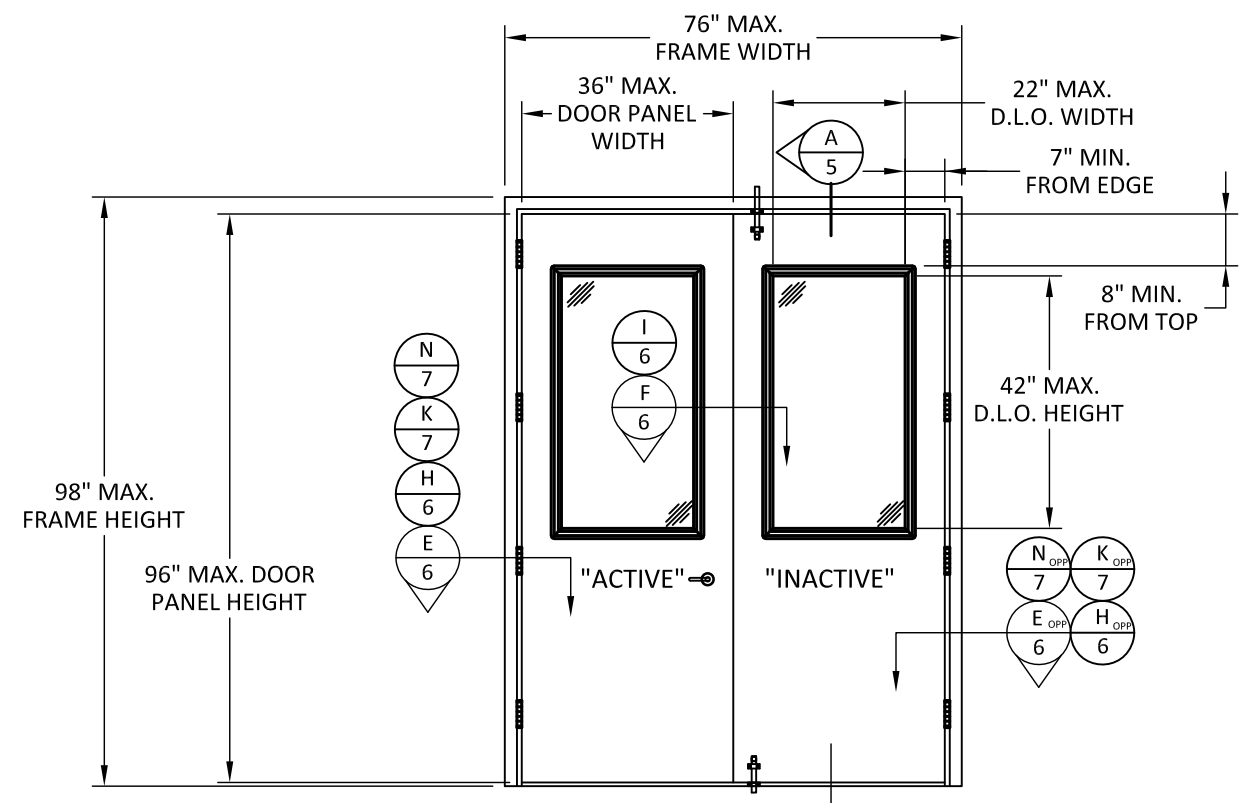
2

OF 18

c:\users\dylanwata\building_drops, inc\building_projects\de la fontaine\bc-22-0614-1 - fbc submittal - hollow metal swing door (s-cs)\dwg\outspring glazed\dlf003.dwg 6/21/2024 4:02 PM

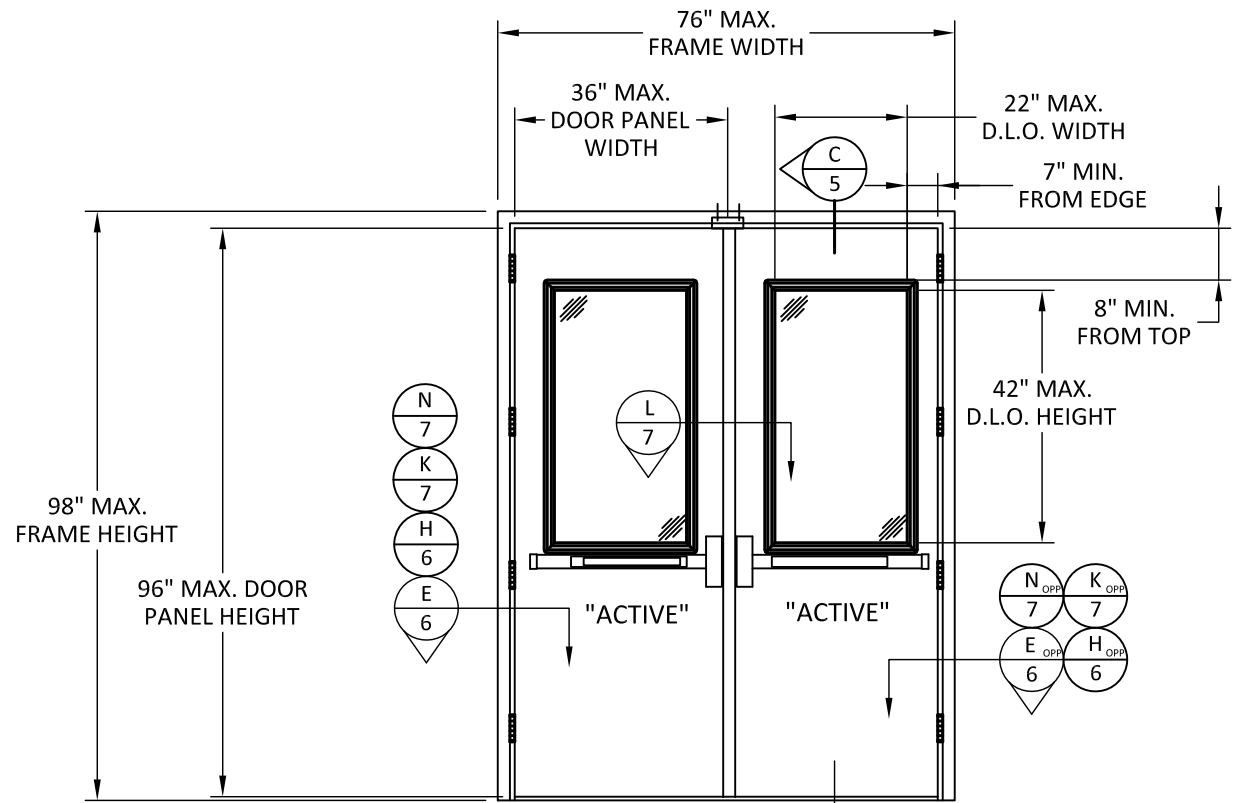
TITLE: OUTSWING DOUBLE & SINGLE GLAZED STEEL DOOR (HVHZ) (IMPACT) ELEVATIONS

PREPARED BY: BUILDING DROPS, INC.
1900 NE MIAMI COURT, STE. 2-15
MIAMI, FL 33132
PH: (954) 359-8478
FAX: (954) 744-4738
WEB: www.buildingdrops.com



ELEVATION A

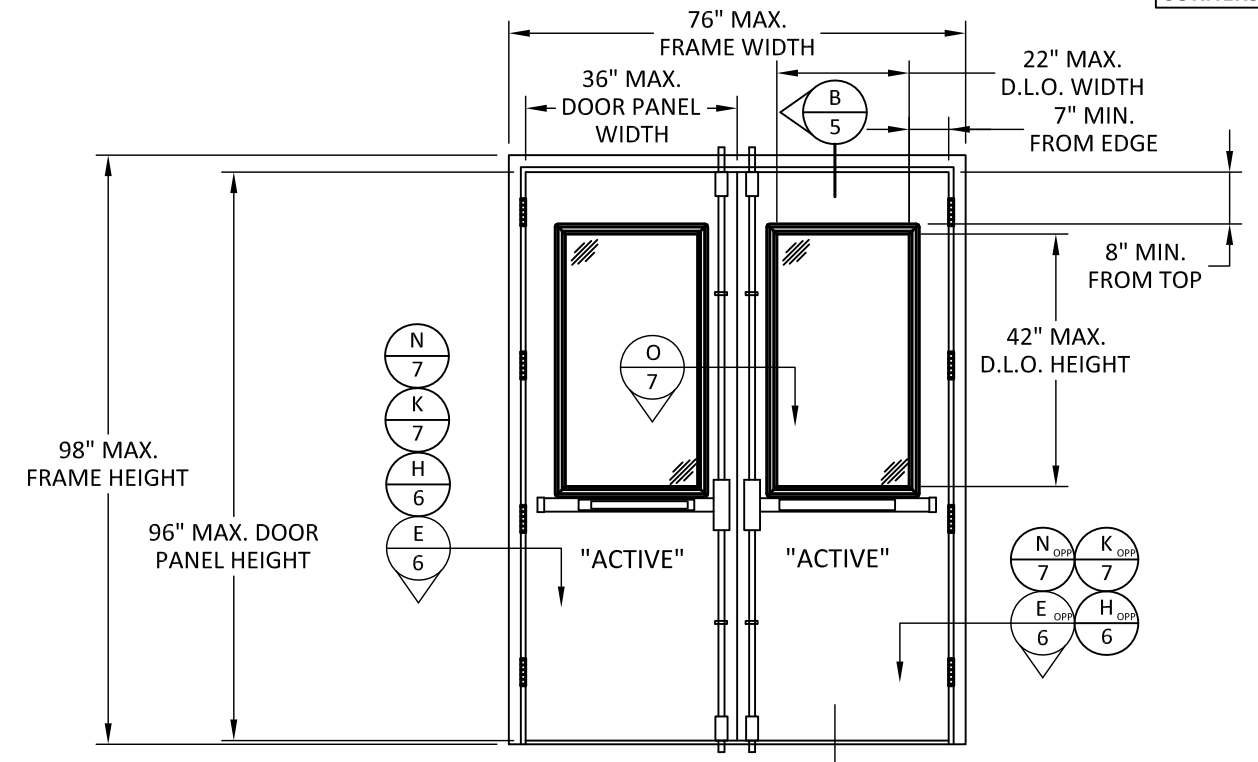
CYLINDRICAL LOCK (AS SHOWN) OR MORTISE LOCKSET WITH DEAD BOLT (NOT SHOWN) ON ACTIVE PANEL, SURFACE BOLTS ON INACTIVE



ELEVATION B

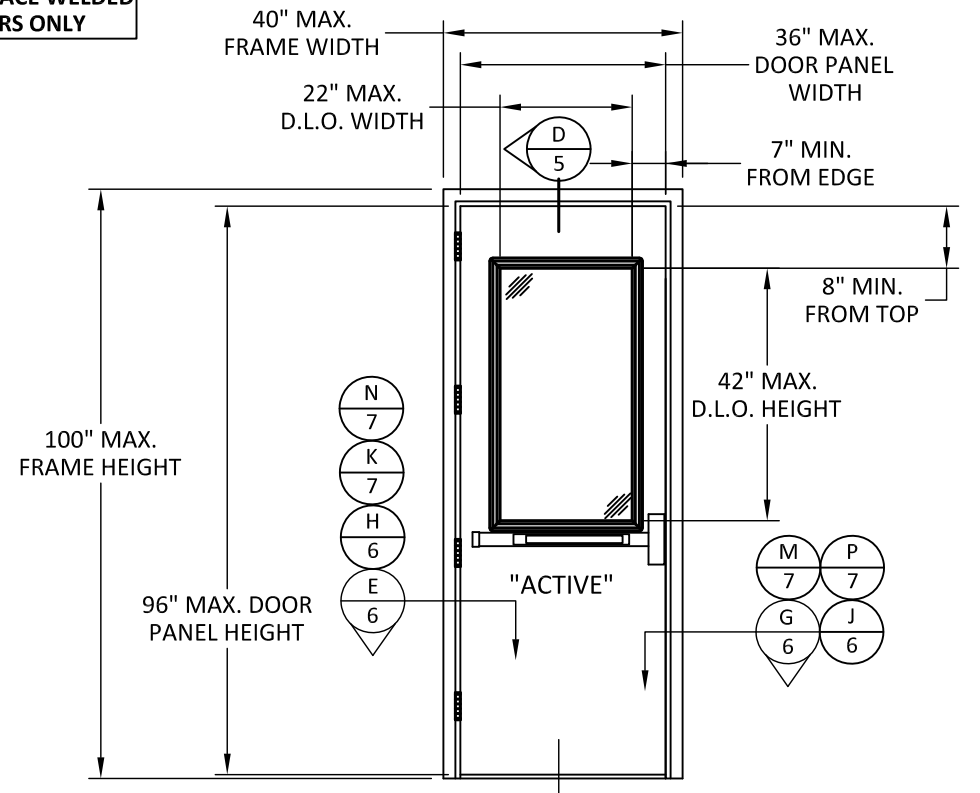
RIM EXIT DEVICES WITH REMOVABLE MULLION

NOTE: MAXIMUM FRAME HEIGHT TO BE 100" WHEN OPTIONAL 4" HEADER FRAME IS USED. FOR USE WITH FULLY WELDED OR FACE WELDED CORNERS ON SINGLE DOORS ONLY



ELEVATION C

EXIT DEVICES WITH SURFACE VERTICAL RODS



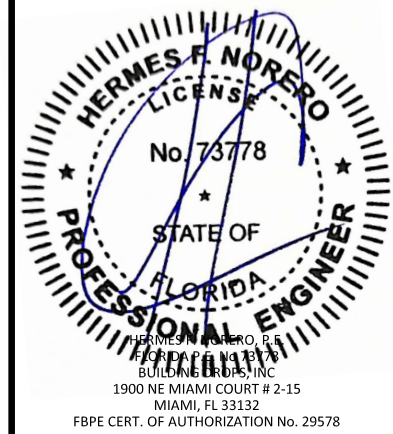
ELEVATION D

RIM EXIT DEVICE

NOTE: ALTERNATE QUALIFIED SINGLE DOOR HARDWARE OPTIONS INCLUDE CYLINDRICAL LOCK, MORTISE LOCKSETS WITH DEADBOLT OR SURFACE VERTICAL RODS.

REMARKS	BY	DATE

THE INSTALLATION DETAILS DESCRIBED HEREIN ARE GENERIC AND MAY NOT REFLECT ACTUAL CONDITIONS FOR A SPECIFIC SITE. IF SITE CONDITIONS CAUSE INSTALLATION TO DEVIATE FROM THE REQUIREMENTS DETAILED HEREIN, A LICENSED ENGINEER OR ARCHITECT SHALL PREPARE SITE SPECIFIC DOCUMENTS FOR USE WITH THIS DOCUMENT.



FL46851

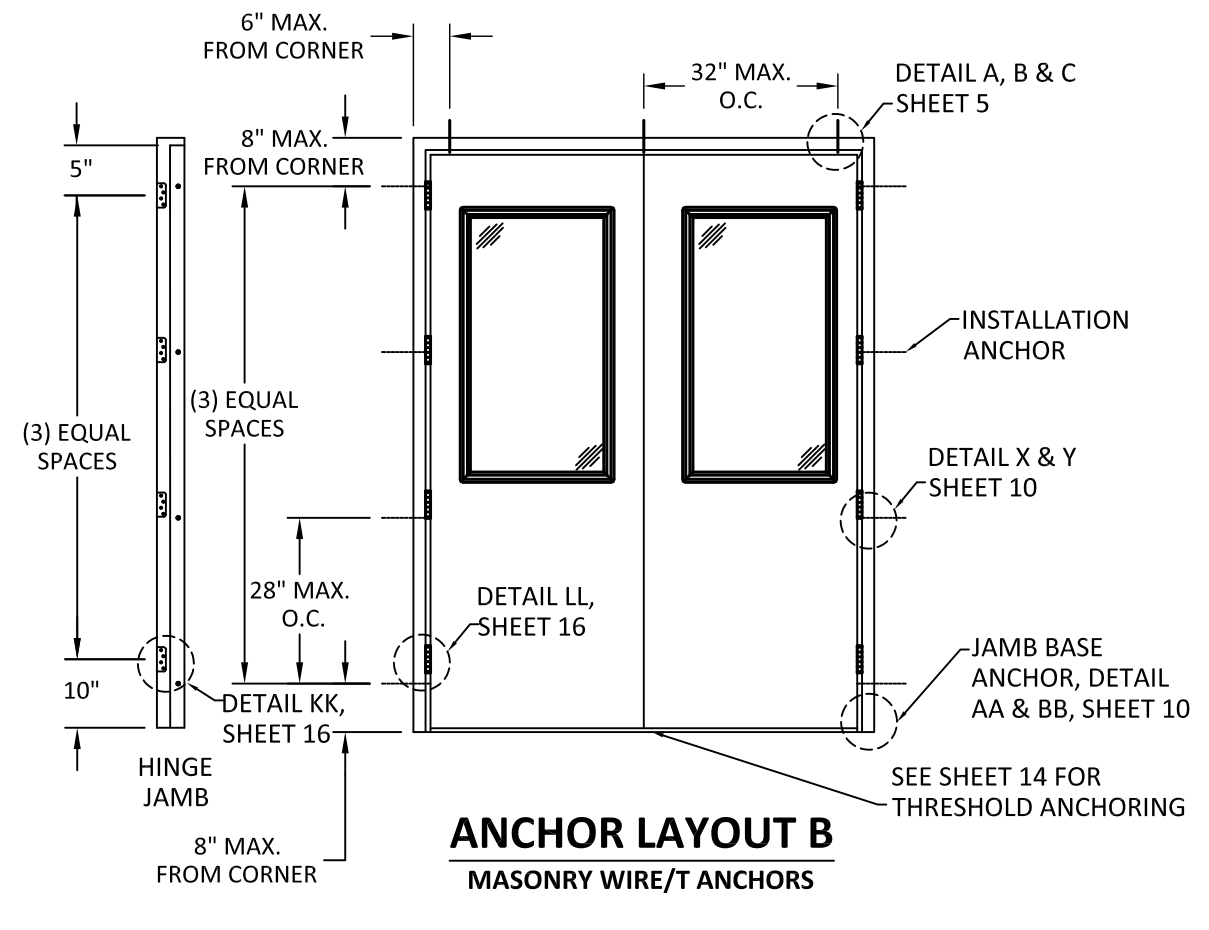
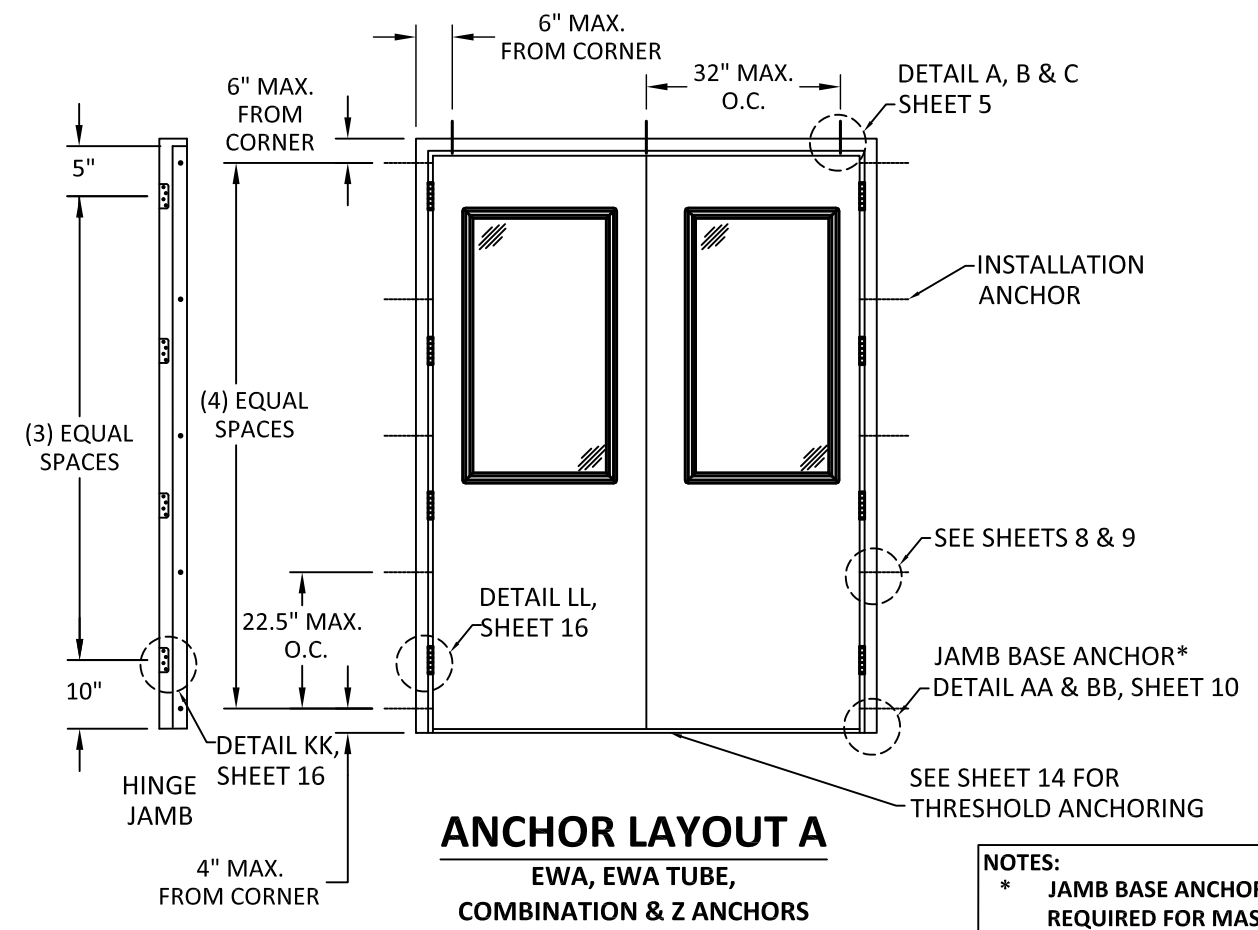
DATE:	05.28.24
DWG. BY:	DI
CHK. BY:	HFN
SCALE:	NTS
DWG. #:	DLF003

SHEET: **3** OF 18

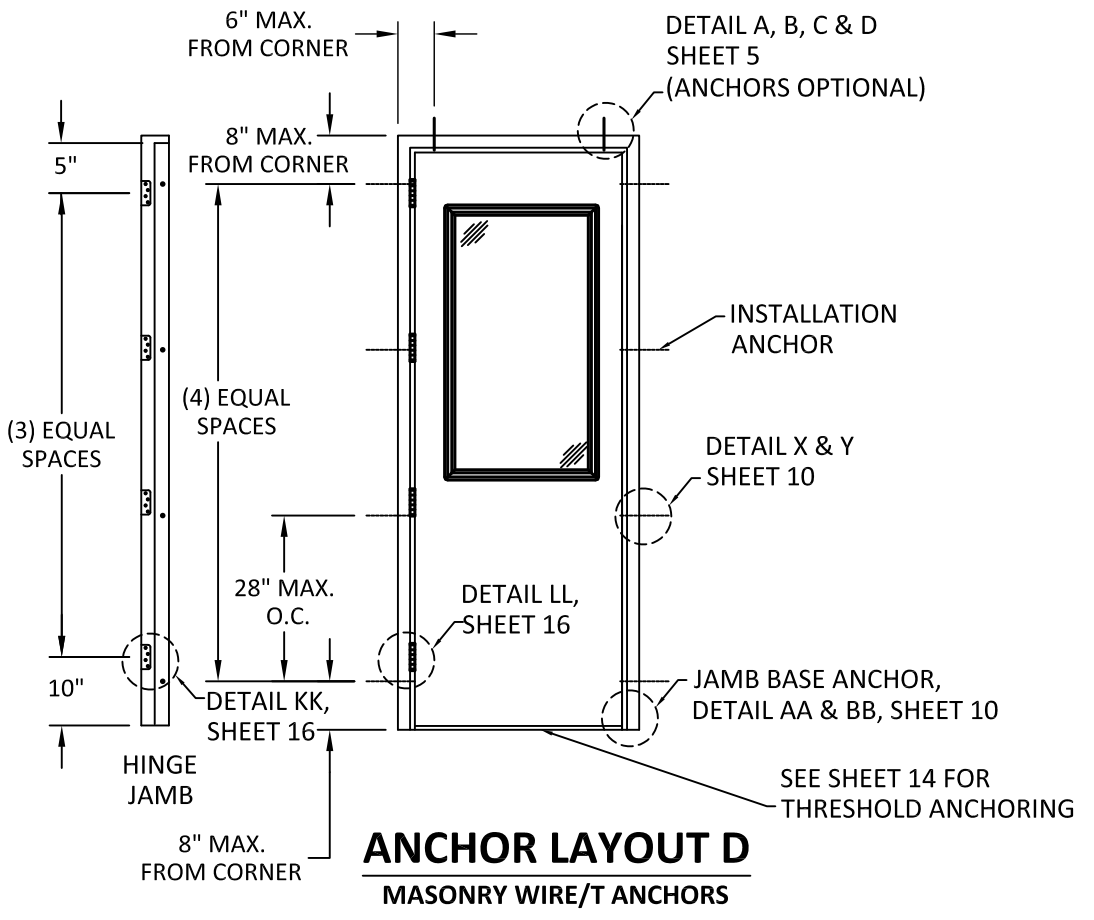
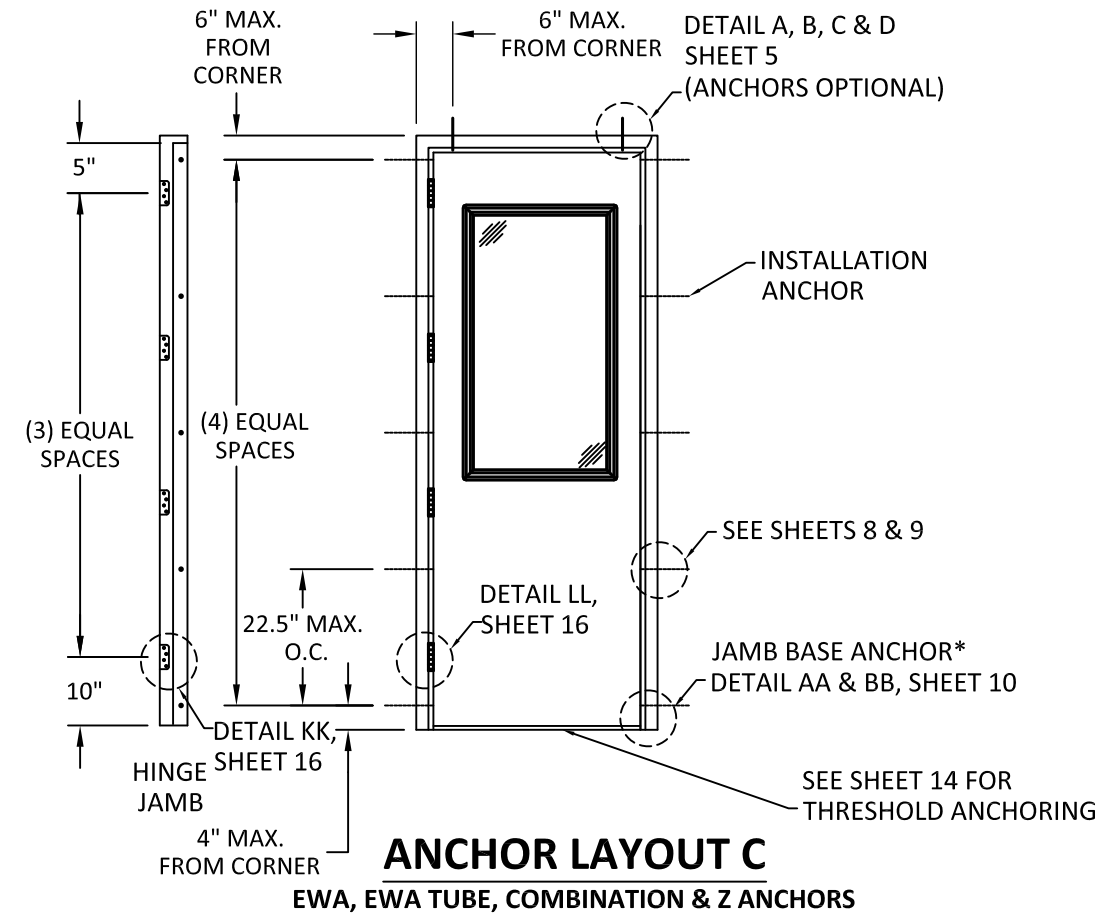
6/21/2024 4:02 PM
c:\users\dylanwata\building_drops, inc\building_drops landing - common\projects\de la fontaine\bc-22-0614.1 - fbc submittal - hollow metal swing door is-cs\dwg\outsourcing\glazed\dlf003.dwg

TITLE: OUTSWING DOUBLE & SINGLE GLAZED STEEL DOOR (HVHZ) (IMPACT)
ANCHOR LAYOUT AND NOTES

PREPARED BY: BUILDING DROPS, INC.
1900 NE MIAMI COURT, STE. 2-15
MIAMI, FL 33132
PH: (954) 359-8478
FAX: (954) 744-4738
WEB: www.buildingdrops.com



NOTES:
* JAMB BASE ANCHOR IS ONLY REQUIRED FOR MASONRY WIRE/T, COMBINATION & Z ANCHORS. NOT REQUIRED FOR EWA ANCHORS



REMARKS	BY	DATE

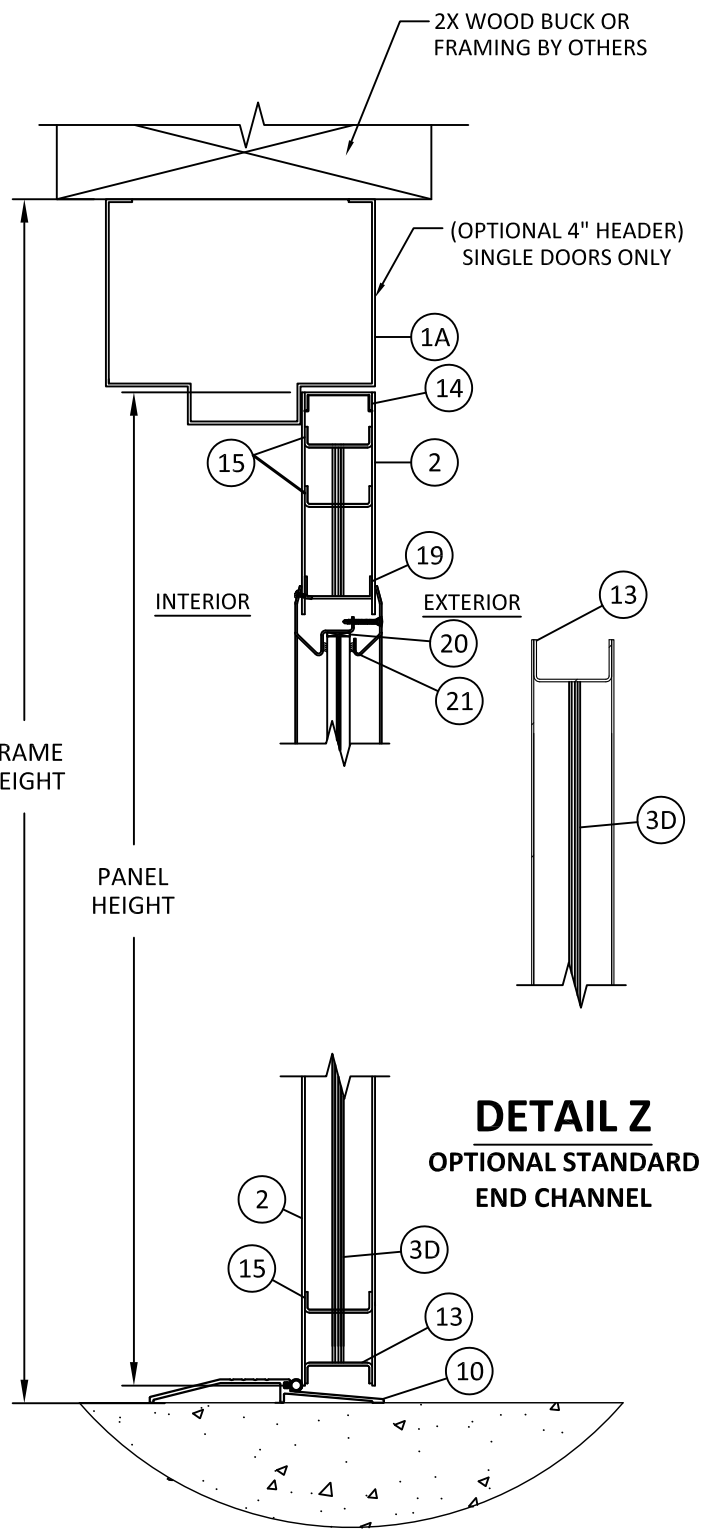
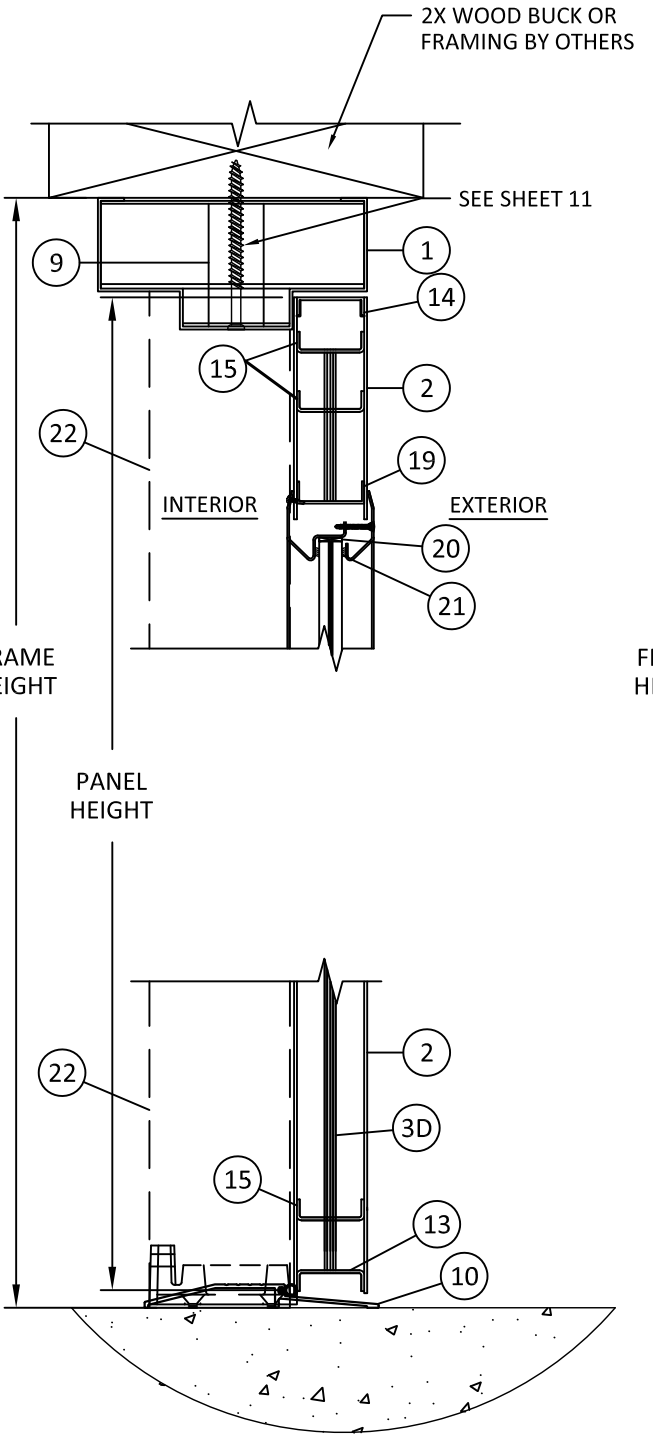
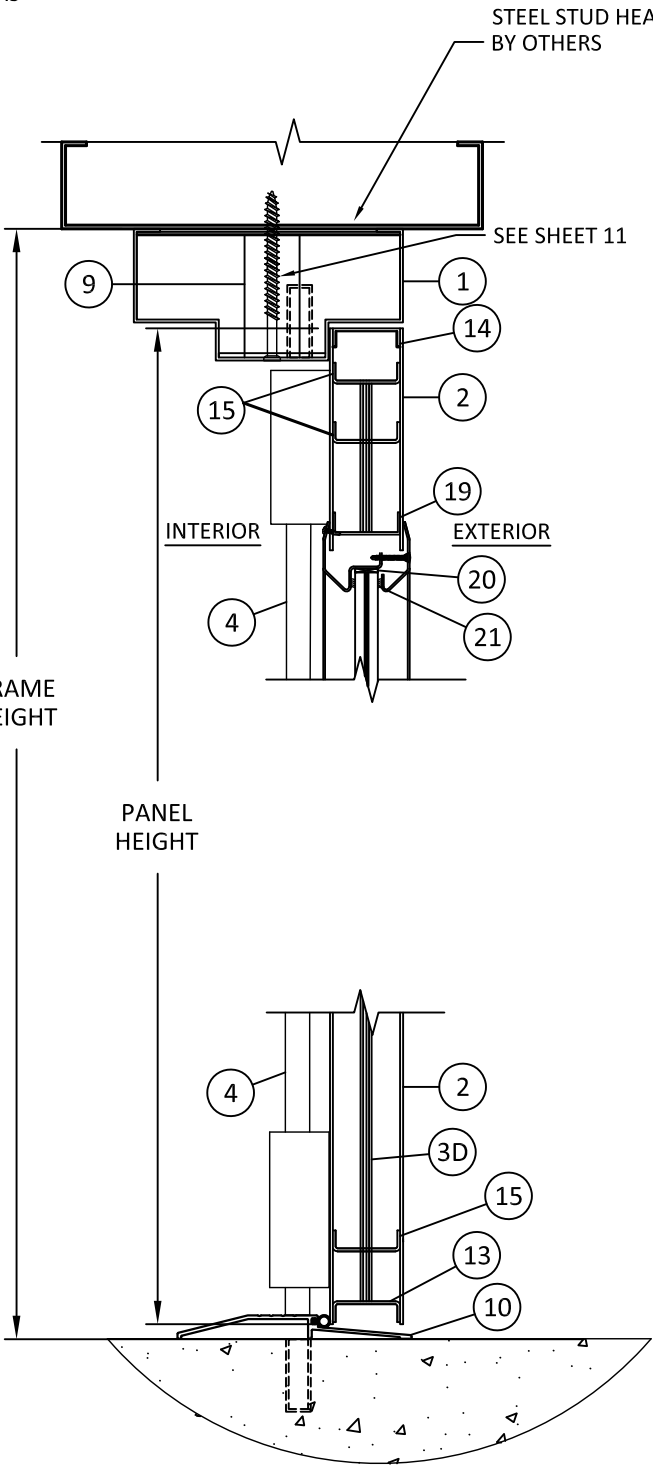
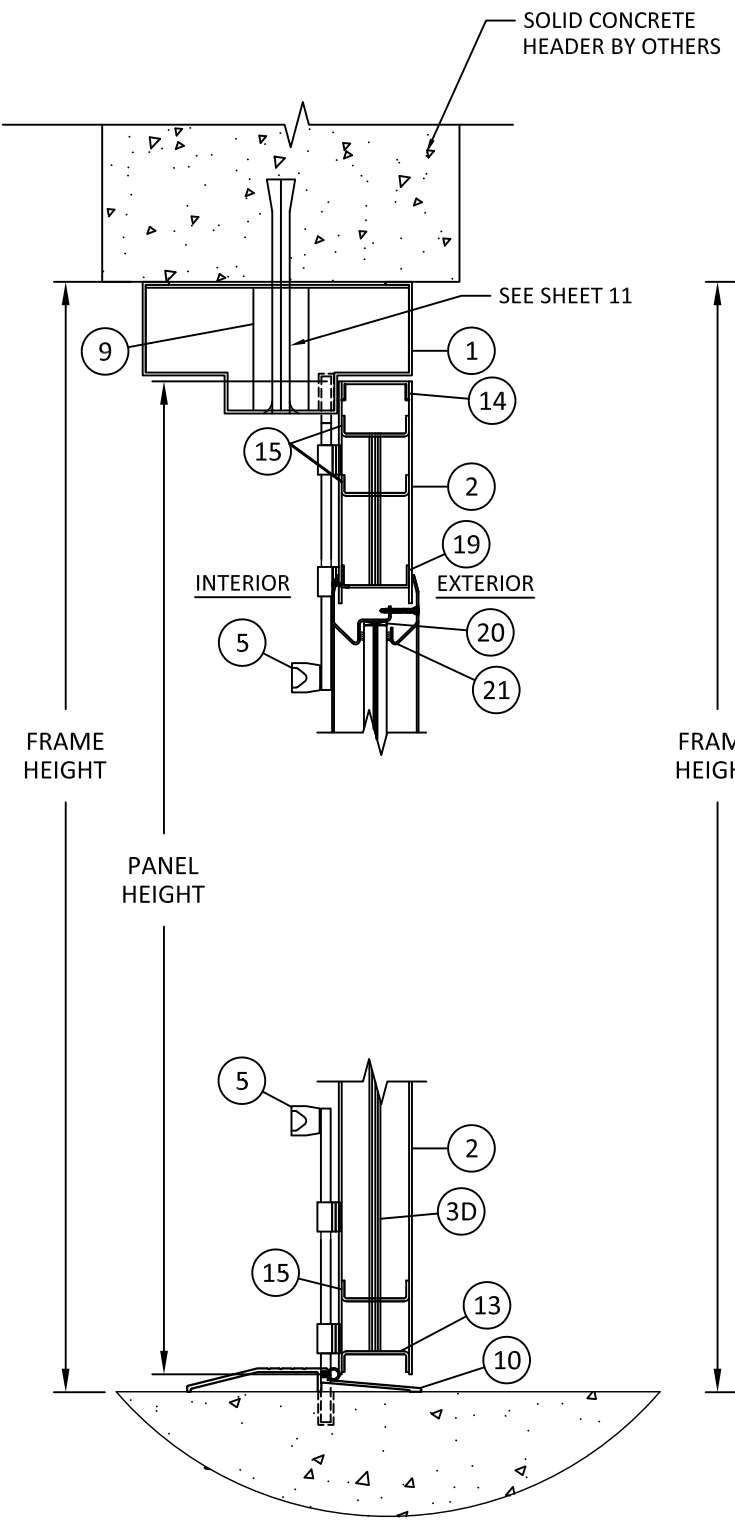
THE INSTALLATION DETAILS DESCRIBED HEREIN ARE GENERIC AND MAY NOT REFLECT ACTUAL CONDITIONS FOR A SPECIFIC SITE. IF SITE CONDITIONS CAUSE INSTALLATION TO DEVIATE FROM THE REQUIREMENTS DETAILED HEREIN, A LICENSED ENGINEER OR ARCHITECT SHALL PREPARE SITE SPECIFIC DOCUMENTS FOR USE WITH THIS DOCUMENT.

HERMES F. NORERO, P.E.
BUILDING DROPS, INC.
1900 NE MIAMI COURT # 2-15
MIAMI, FL 33132
FBPE CERT. OF AUTHORIZATION No. 29578

FL46851	
DATE: 05.28.24	
DWG. BY: DI	CHK. BY: HFN
SCALE: NTS	
DWG. #: DLF003	
SHEET:	

6/21/2024 4:02 PM
c:\users\dyanwata\building_drops, inc\building_drops, inc\projects\de la fontaine\fbc-22-0614.1 - fbc submittal - hollow metal swing door is-cs\dwg\outsourcing\glazed\dlf003.dwg

**NOTE: EWA TUBE SHOWN.
EWA IS QUALIFIED FOR ALL
INSTALLATION SUBSTRATES
SHOWN.**



A
5
VERTICAL SECTION
HEAD/SILL - CONCRETE/MASONRY
(MORTISE LOCK/
CYLINDRICAL LOCK WITH SURFACE BOLTS)

B
5
VERTICAL SECTION
HEAD - STEEL STUD
SILL - CONCRETE/MASONRY
(SURFACE VERTICAL ROD)

C
5
VERTICAL SECTION
HEAD - 2X WOOD FRAME
SILL - CONCRETE
(REMOVABLE MULLION)

D
5
VERTICAL SECTION
HEAD - 2X WOOD FRAME
SILL - CONCRETE



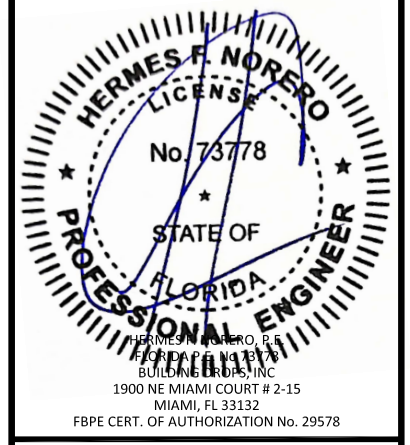
4115 BRODEUR STREET
SHERBROOKE, QC J1L1K4
PH: (819) 821-9230 FX: (819) 569-5928

TITLE: OUTSWING DOUBLE & SINGLE
GLAZED STEEL DOOR
(HVHZ) (IMPACT)
VERTICAL SECTIONS

PREPARED BY:
BUILDING DROPS, INC.
1900 NE MIAMI COURT, STE. 2-15
MIAMI, FL 33132
PH: (954) 359-8478
FAX: (954) 744-4738
WEB: www.buildingdrops.com

REMARKS	BY	DATE

THE INSTALLATION DETAILS DESCRIBED HEREIN ARE GENERIC AND MAY NOT REFLECT ACTUAL CONDITIONS FOR A SPECIFIC SITE. IF SITE CONDITIONS CAUSE INSTALLATION TO DEVIATE FROM THE REQUIREMENTS DETAILED HEREIN, A LICENSED ENGINEER OR ARCHITECT SHALL PREPARE SITE SPECIFIC DOCUMENTS FOR USE WITH THIS DOCUMENT.



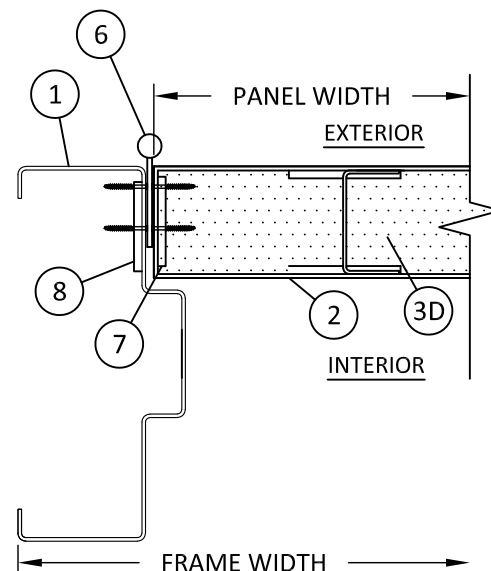
FL46851

DATE: **05.28.24**
DWG. BY: **DI** CHK. BY: **HFN**
SCALE: **NTS**
DWG. #: **DLF003**
SHEET:

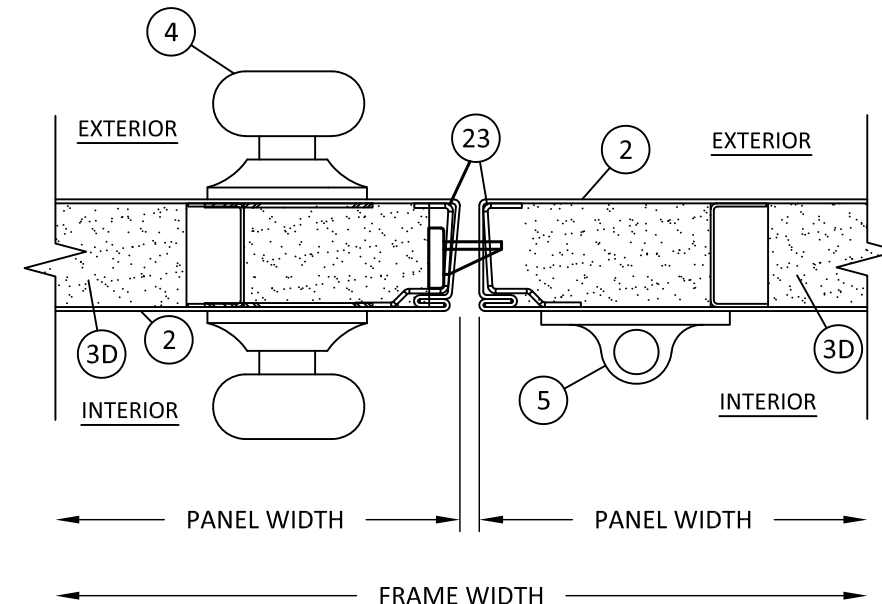
6/21/2024 4:02 PM
 c:\users\dyanwata\building_drops, inc\building_drops_landing - common\projects\de la fontaine\fbc-22-0614.1 - fbc submittal - hollow metal swing door is-cs\dwg\outswing_glazed\dlf003.dwg

TITLE: OUTSWING DOUBLE & SINGLE
 GLAZED STEEL DOOR
 (HVHZ) (IMPACT)
 HORIZONTAL SECTIONS

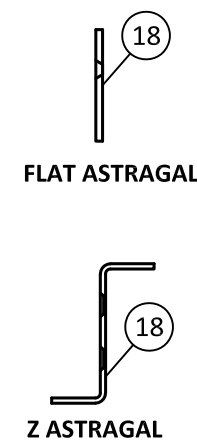
PREPARED BY:
BUILDING DROPS, INC.
 1900 NE MIAMI COURT, STE. 2-15
 MIAMI, FL 33132
 PH: (954) 359-8478
 FAX: (954) 744-4738
 WEB: www.buildingdrops.com



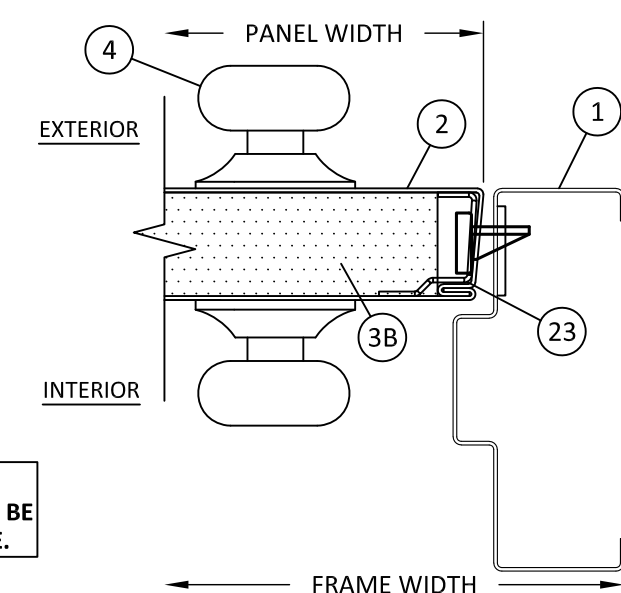
E
6 HORIZONTAL SECTION
BUTT HINGE JAMB



F
6 HORIZONTAL SECTION
CYLINDRICAL LOCK & SURFACE BOLT
MEETING STILE

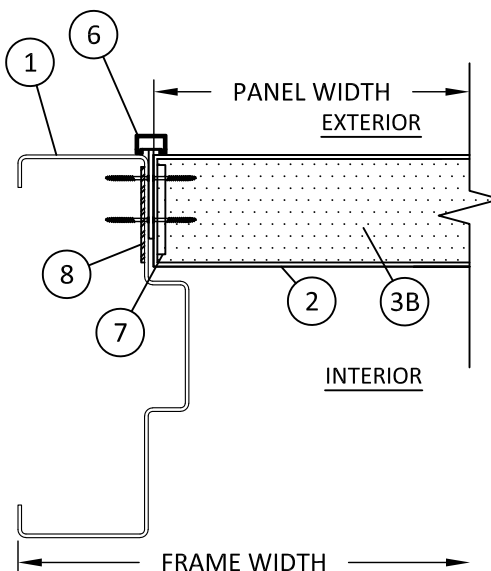


NOTE: FLAT ASTRAGAL & Z ASTRAGAL IS QUALIFIED TO BE USED WITH ALL HARDWARE.

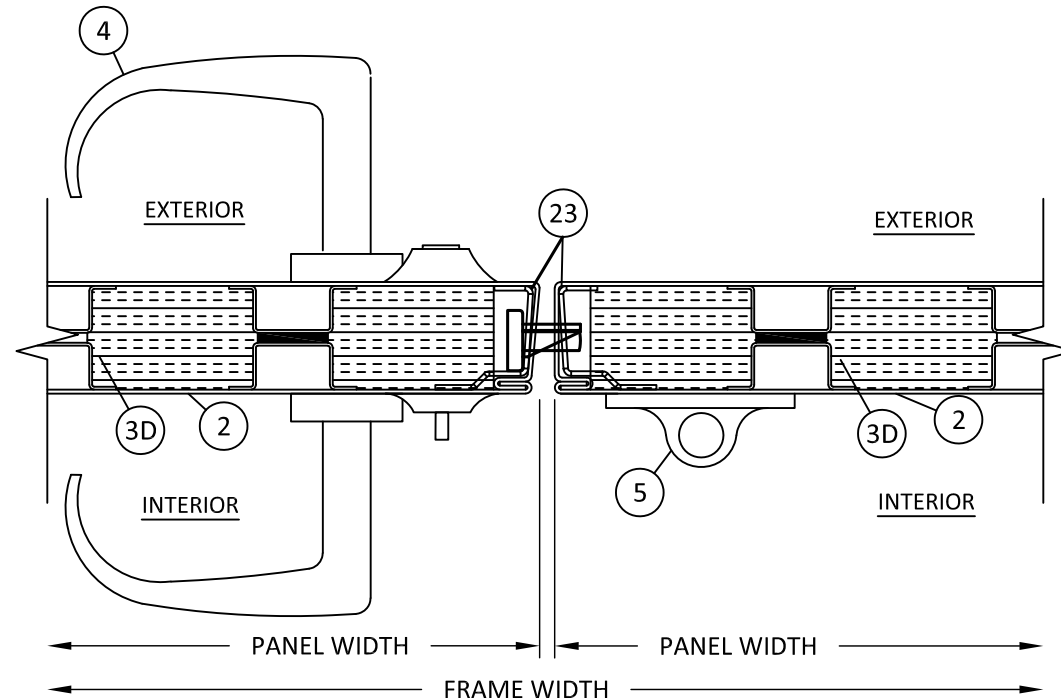


G
6 HORIZONTAL SECTION
CYLINDRICAL LOCK
LOCK JAMB

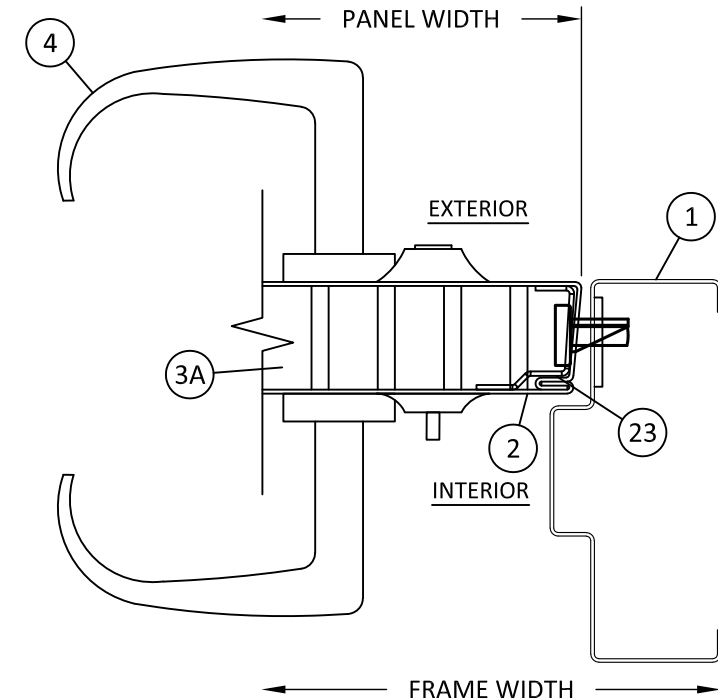
NOTE: DETAILS SHOWN WITH VARYING DOOR CORE TYPES. ANY DETAIL IS APPROVED TO BE USED WITH ANY CORE TYPE.



H
6 HORIZONTAL SECTION
CONTINUOUS HINGE JAMB



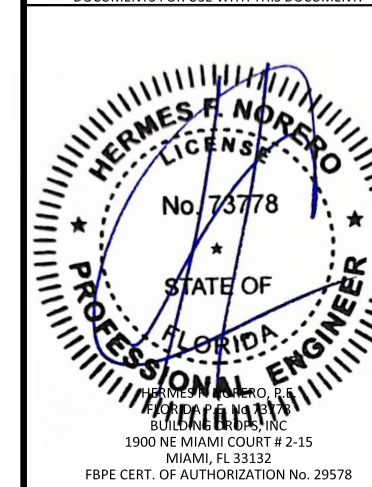
I
6 HORIZONTAL SECTION
MORTISE LOCK W/ DB & SURFACE BOLT
MEETING STILE



J
6 HORIZONTAL SECTION
MORTISE LOCK WITH DEADBOLT
LOCK JAMB

REMARKS	BY	DATE

THE INSTALLATION DETAILS DESCRIBED HEREIN ARE GENERIC AND MAY NOT REFLECT ACTUAL CONDITIONS FOR A SPECIFIC SITE. IF SITE CONDITIONS CAUSE INSTALLATION TO DEVIATE FROM THE REQUIREMENTS DETAILED HEREIN, A LICENSED ENGINEER OR ARCHITECT SHALL PREPARE SITE SPECIFIC DOCUMENTS FOR USE WITH THIS DOCUMENT.

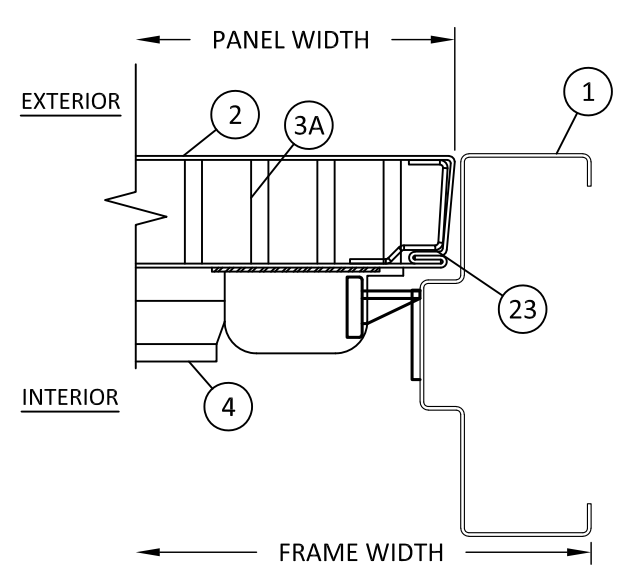
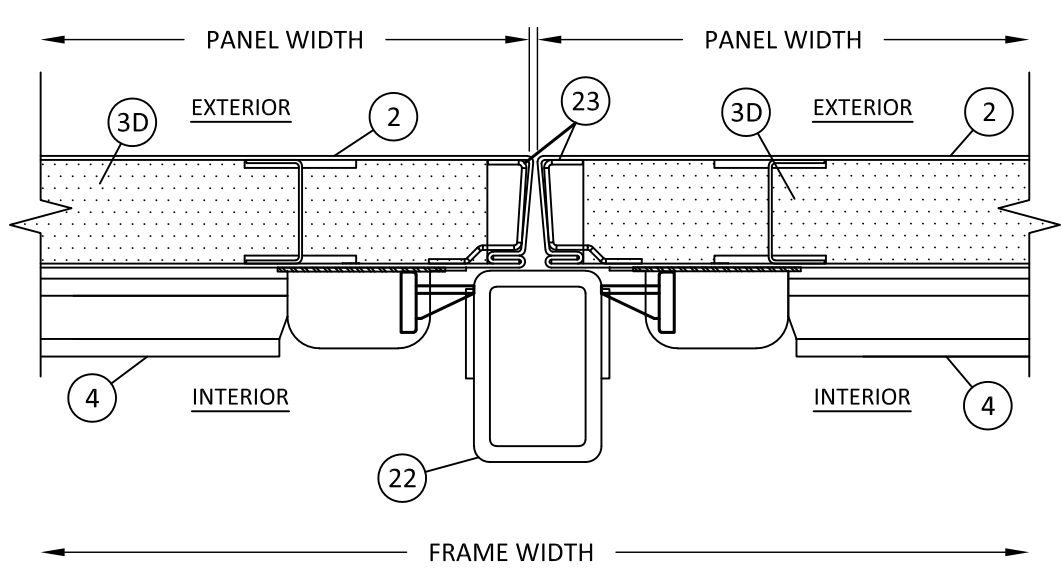
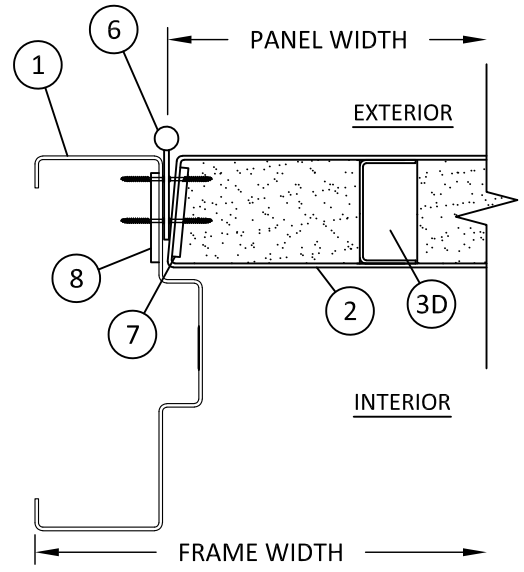


FL46851

DATE:	05.28.24
DWG. BY:	DI
CHK. BY:	HFN
SCALE:	NTS
DWG. #:	DLF003

SHEET: **6** OF 18

6/21/2024 4:02 PM
c:\users\dylanwata\building_drops, inc\building_drops landing - common\projects\de la fontaine\fbc-22-0614.1 - fbc submittal - hollow metal swing door is-cs\dwg\outsourcing\glazed\dlf003.dwg

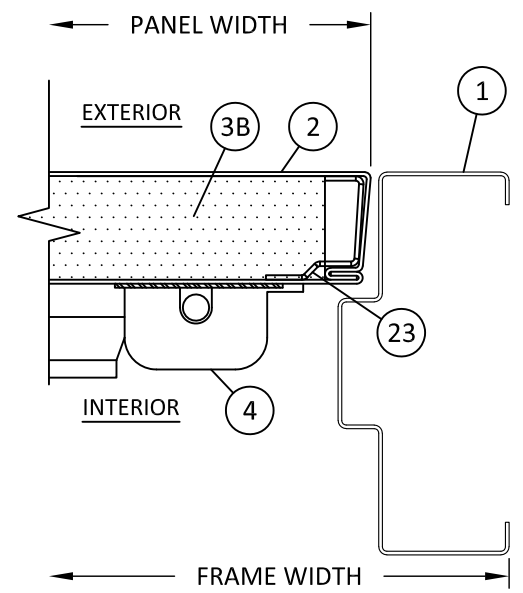
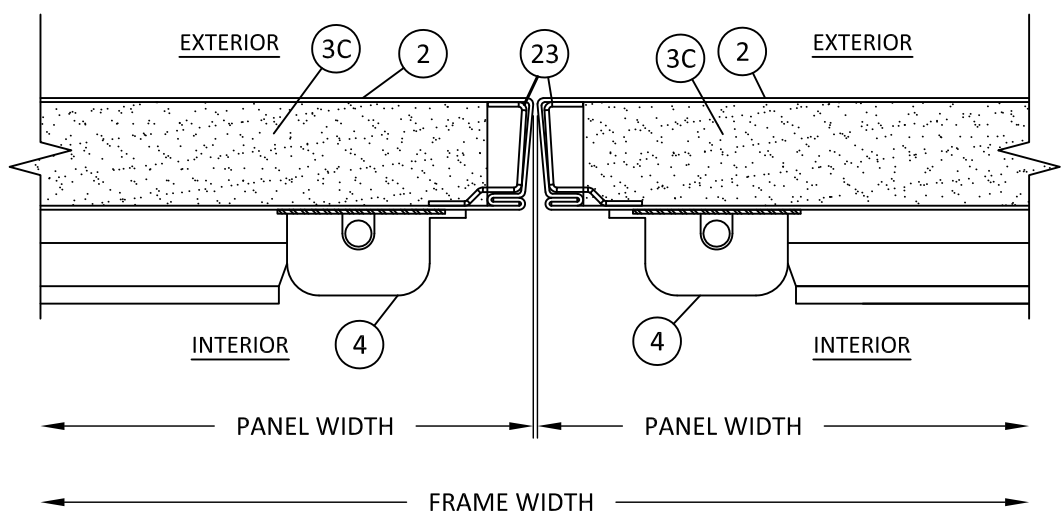
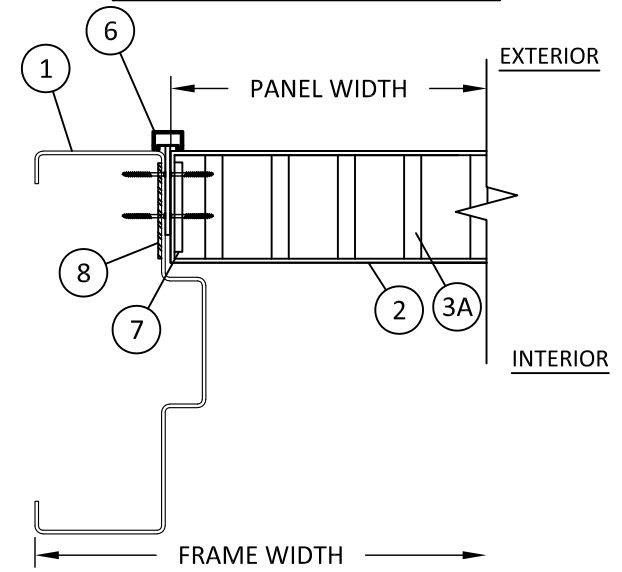


K
7 **HORIZONTAL SECTION**
BUTT HINGE JAMB

L
7 **HORIZONTAL SECTION**
RIM EXIT DEVICE W/ MULLION MEETING STILE

M
7 **HORIZONTAL SECTION**
RIM EXIT DEVICE LOCK JAMB

NOTE: DETAILS SHOWN WITH VARYING DOOR CORE TYPES. ANY DETAIL IS APPROVED TO BE USED WITH ANY CORE TYPE.



N
7 **HORIZONTAL SECTION**
CONTINUOUS HINGE JAMB

O
7 **HORIZONTAL SECTION**
SURFACE VERTICAL RODS MEETING STILE

P
7 **HORIZONTAL SECTION**
SURFACE VERTICAL RODS LOCK JAMB



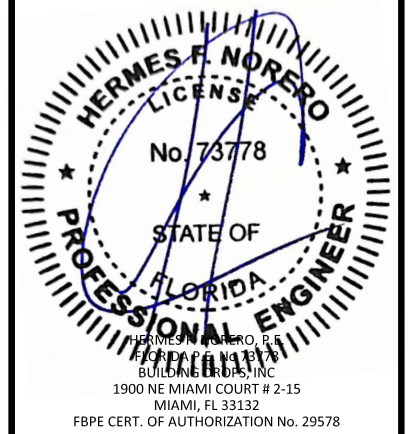
4115 BRODEUR STREET
SHERBROOKE, QC J1L1K4
PH: (819) 821-9230 FX: (819) 569-5928

TITLE: OUTSWING DOUBLE & SINGLE GLAZED STEEL DOOR (HVHZ) (IMPACT)
HORIZONTAL SECTIONS
PREPARED BY: BUILDING DROPS, INC.
1900 NE MIAMI COURT, STE. 2-15
MIAMI, FL 33132
PH: (954)399-8478
FAX: (954)744-4738
WEB: www.buildingdrops.com



REMARKS	BY	DATE

THE INSTALLATION DETAILS DESCRIBED HEREIN ARE GENERIC AND MAY NOT REFLECT ACTUAL CONDITIONS FOR A SPECIFIC SITE. IF SITE CONDITIONS CAUSE INSTALLATION TO DEVIATE FROM THE REQUIREMENTS DETAILED HEREIN, A LICENSED ENGINEER OR ARCHITECT SHALL PREPARE SITE SPECIFIC DOCUMENTS FOR USE WITH THIS DOCUMENT.

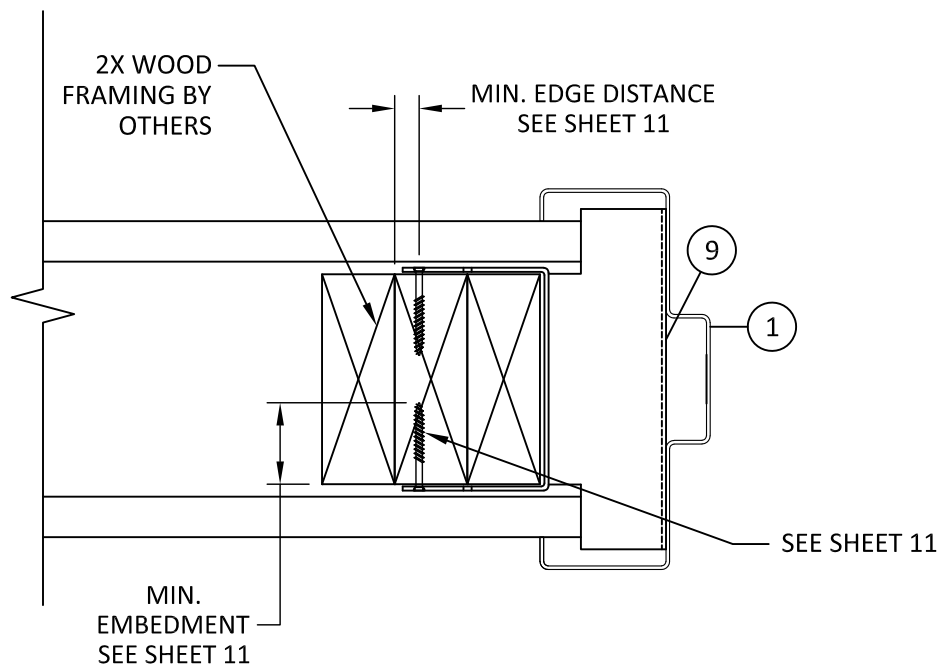


FL46851

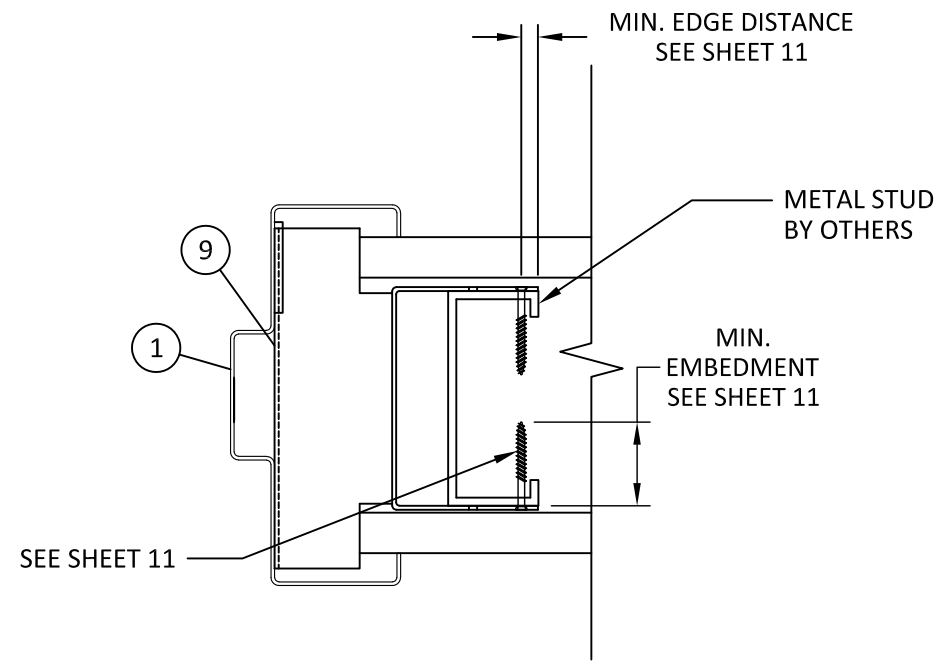
DATE:	05.28.24
DWG. BY:	DI
CHK. BY:	HFN
SCALE:	NTS
DWG. #:	DLF003

SHEET:
7
OF 18

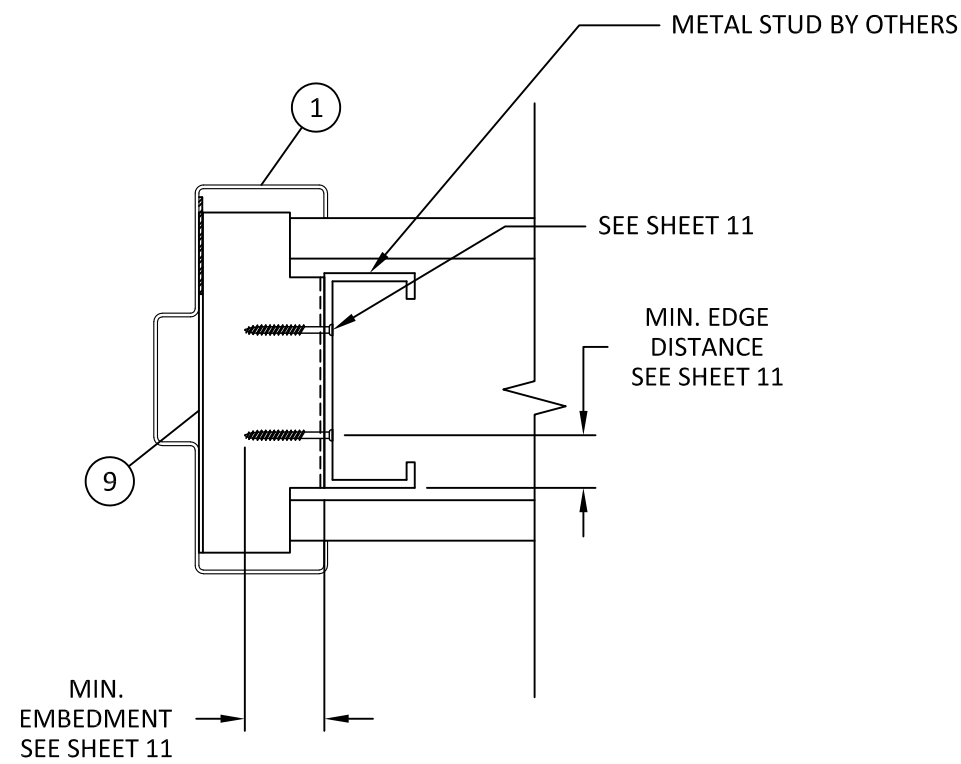
c:\users\dyanawata\building_drops, inc\building_drops landing - common\projects\de la fontaine\fb-22-0614.1 - fbc submittal - hollow metal swing door is-cs\dwg\outswing_glazed\dlf003.dwg 6/21/2024 4:02 PM



Q
8 **HORIZONTAL SECTION**
COMBINATION ANCHOR
WOOD STUD



R
8 **HORIZONTAL SECTION**
COMBINATION ANCHOR
METAL STUD



S
8 **HORIZONTAL SECTION**
Z ANCHOR
METAL STUD



4115 BRODEUR STREET
SHERBROOKE, QC J1L1K4
PH: (819) 821-9230 FX: (819) 569-5928

TITLE: OUTSWING DOUBLE & SINGLE
GLAZED STEEL DOOR
(HVHZ) (IMPACT)

INSTALLATION DETAILS - COMBINATION
AND Z ANCHORS

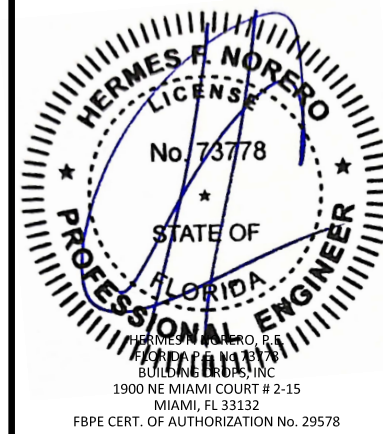
PREPARED BY: BUILDING DROPS, INC.

1900 NE MIAMI COURT, STE. 2-15
MIAMI, FL 33132
PH: (954)399-8478
FAX: (954)744-4738
WEB: www.buildingdrops.com



REMARKS	BY	DATE

THE INSTALLATION DETAILS DESCRIBED HEREIN ARE GENERIC AND MAY NOT REFLECT ACTUAL CONDITIONS FOR A SPECIFIC SITE. IF SITE CONDITIONS CAUSE INSTALLATION TO DEVIATE FROM THE REQUIREMENTS DETAILED HEREIN, A LICENSED ENGINEER OR ARCHITECT SHALL PREPARE SITE SPECIFIC DOCUMENTS FOR USE WITH THIS DOCUMENT.



FL46851

DATE: 05.28.24

DWG. BY: DI CHK. BY: HFN

SCALE: NTS

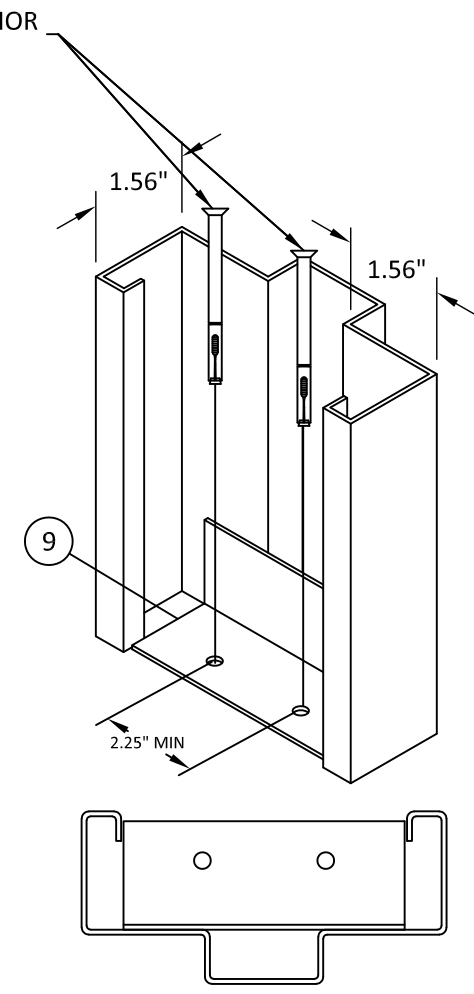
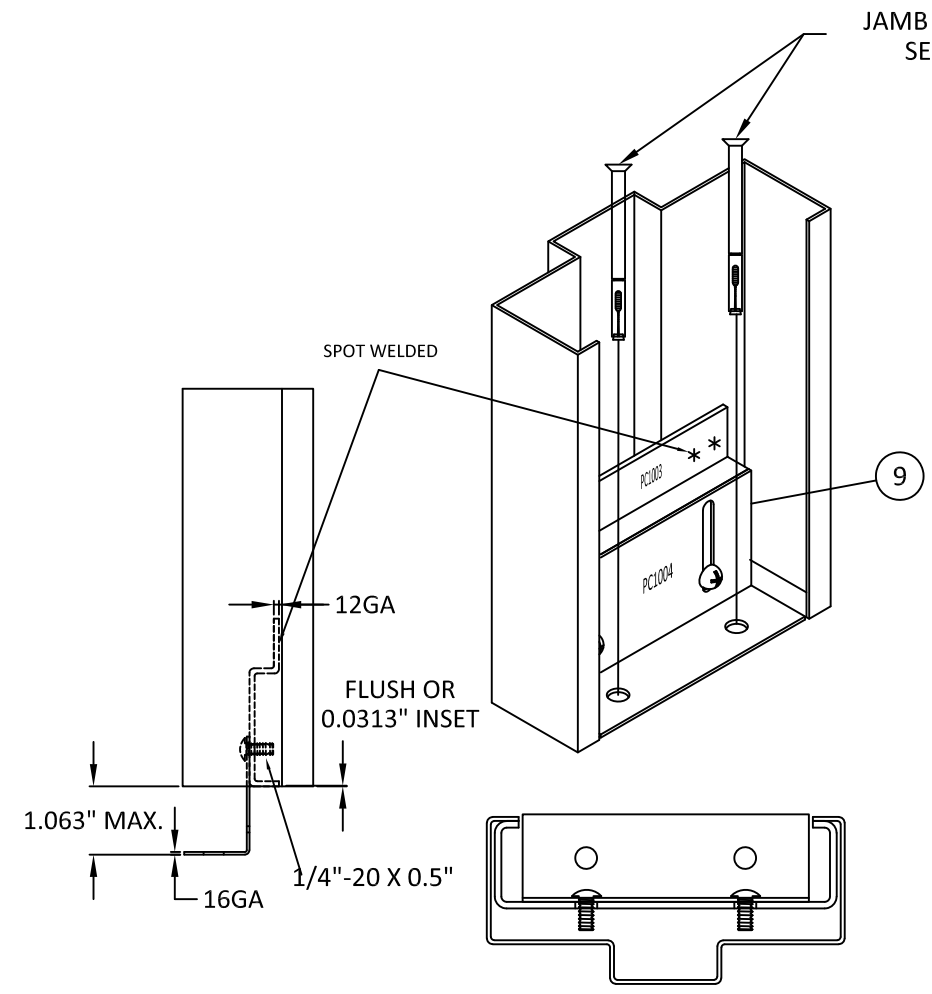
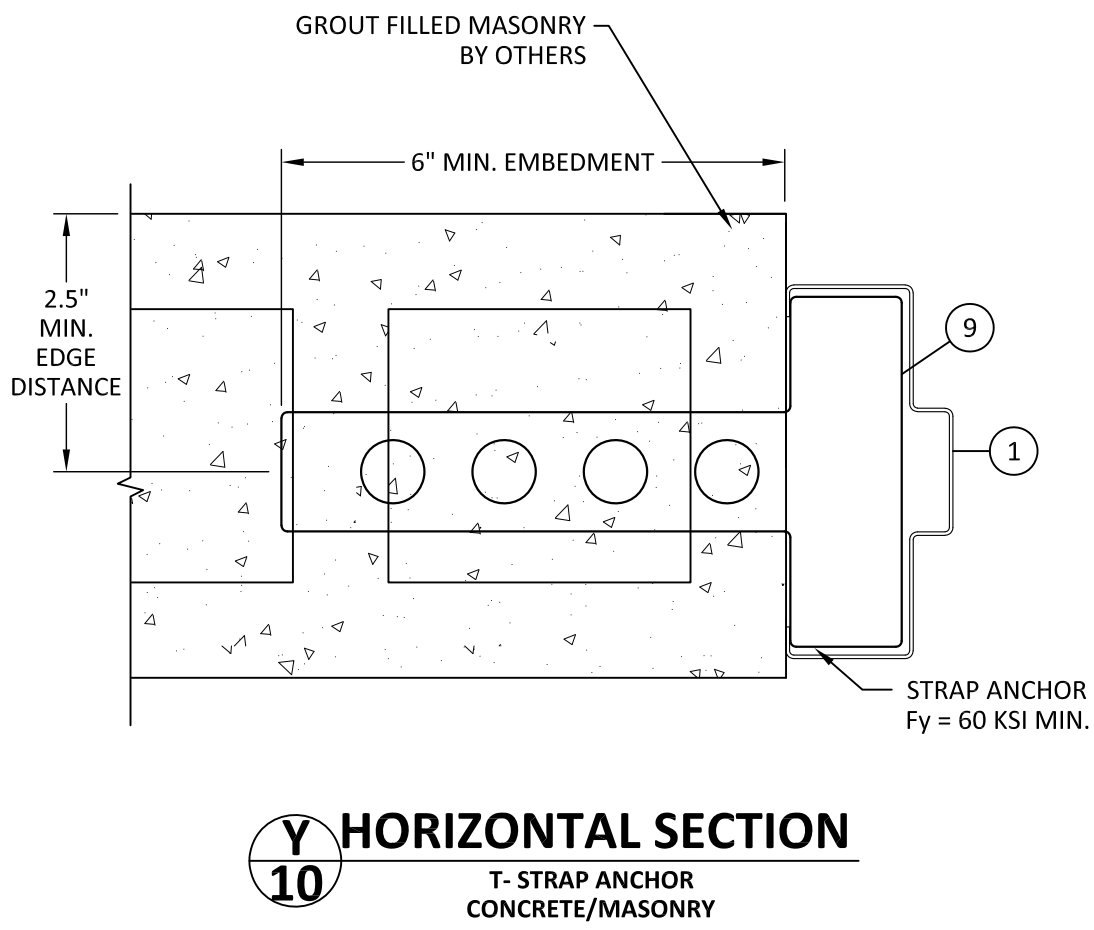
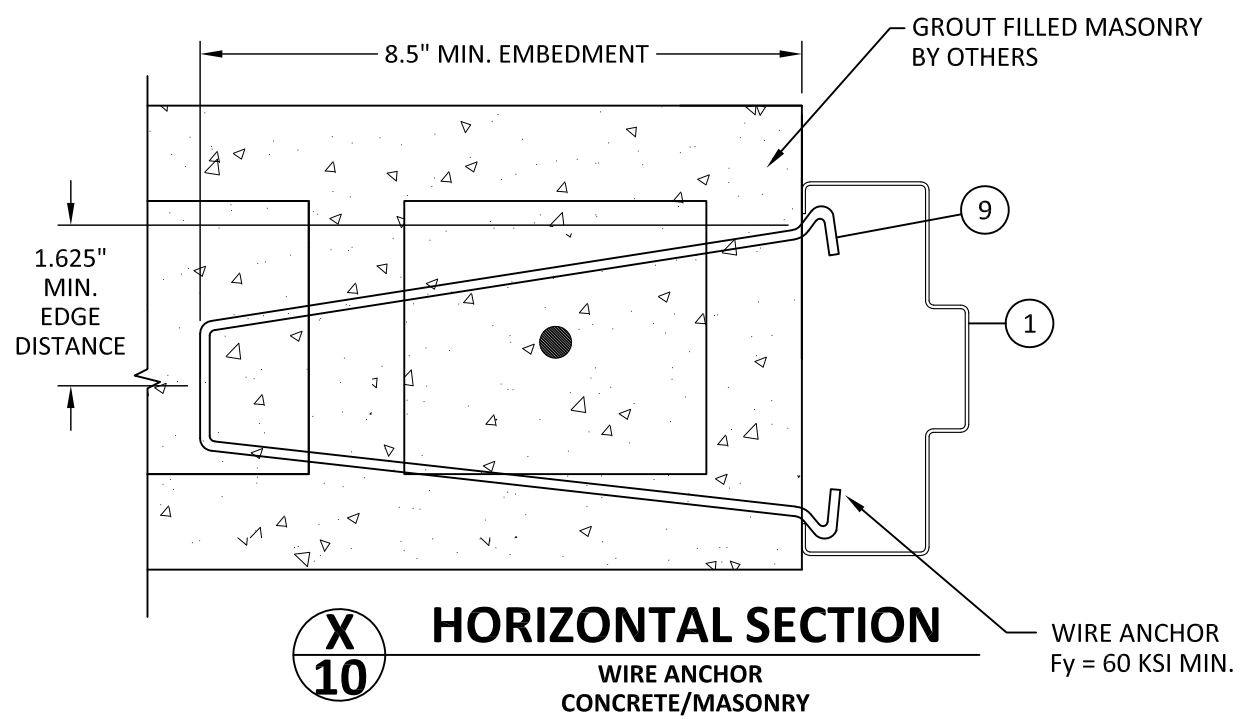
DWG. #: DLF003

SHEET:

8

OF 18

6/21/2024 4:02 PM
 c:\users\dyanwata\building_drops, inc\building_drops landing - common\projects\de la fontaine\fbc-22-0614.1 - fbc submittal - hollow metal swing door (s-cs)\dwg\outspring_glazed\dlf003.dwg



NOTE: WELDED OR ADJUSTABLE BASE ANCHOR TO BE USED WITH T-STRAP, WIRE, COMBINATION & Z ANCHOR ONLY

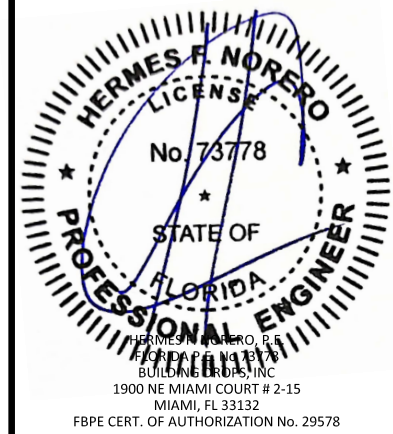
TITLE: OUTSWING DOUBLE & SINGLE GLAZED STEEL DOOR (HVHZ) (IMPACT)

INSTALLATION DETAILS - WIRE/T MASONRY & JAMB BASE ANCHORS

PREPARED BY: BUILDING DROPS, INC.
1900 NE MIAMI COURT, STE. 2-15
MIAMI, FL 33132
PH: (954) 359-8478
FAX: (954) 744-4738
WEB: www.buildingdrops.com

REMARKS	BY	DATE

THE INSTALLATION DETAILS DESCRIBED HEREIN ARE GENERIC AND MAY NOT REFLECT ACTUAL CONDITIONS FOR A SPECIFIC SITE. IF SITE CONDITIONS CAUSE INSTALLATION TO DEVIATE FROM THE REQUIREMENTS DETAILED HEREIN, A LICENSED ENGINEER OR ARCHITECT SHALL PREPARE SITE SPECIFIC DOCUMENTS FOR USE WITH THIS DOCUMENT.



FL46851

DATE: **05.28.24**

DWG. BY: **DI** CHK. BY: **HFN**

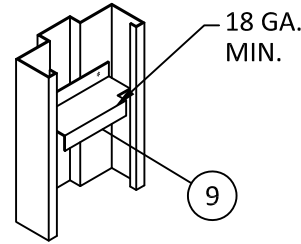
SCALE: **NTS**

DWG. #: **DLF003**

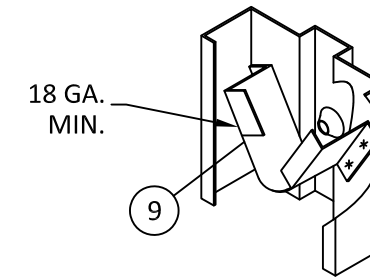
SHEET: **10**
OF 18

INSTALLATION NOTES:

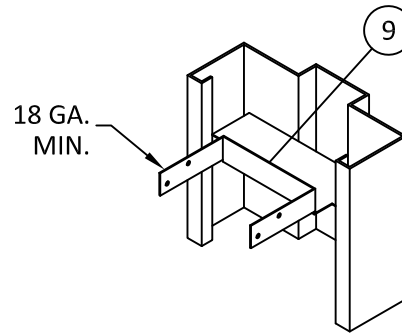
- ONE (1) INSTALLATION ANCHOR IS REQUIRED AT EACH ANCHOR LOCATION SHOWN UNLESS OTHERWISE NOTED.
- THE NUMBER OF INSTALLATION ANCHORS DEPICTED IS THE MINIMUM NUMBER OF ANCHORS TO BE USED FOR PRODUCT INSTALLATION.
- INSTALL INDIVIDUAL INSTALLATION ANCHORS WITHIN A TOLERANCE OF ±1/2 INCH OF THE DEPICTED LOCATION IN THE ANCHOR LAYOUT DETAIL (I.E., WITHOUT CONSIDERATION OF TOLERANCES). TOLERANCES ARE NOT CUMULATIVE FROM ONE INSTALLATION ANCHOR TO THE NEXT.
- SHIM AS REQUIRED AT EACH INSTALLATION ANCHOR WITH LOAD BEARING SHIM(S). MAXIMUM ALLOWABLE SHIM STACK TO BE 1/4 INCH. SHIM WHERE SPACE OF 1/16 INCH OR GREATER OCCURS. SHIM(S) SHALL BE CONSTRUCTED OF HIGH DENSITY PLASTIC OR BETTER.
- MINIMUM EMBEDMENT AND EDGE DISTANCE EXCLUDE WALL FINISHES, INCLUDING BUT NOT LIMITED TO STUCCO, FOAM, BRICK VENEER, AND SIDING.
- INSTALLATION ANCHORS AND ASSOCIATED HARDWARE MUST BE MADE OF CORROSION RESISTANT MATERIAL OR HAVE A CORROSION RESISTANT COATING.
- FOR GROUT FILLED BLOCK, DO NOT INSTALL INSTALLATION ANCHORS INTO MORTAR JOINTS. EDGE DISTANCE IS MEASURED FROM FREE EDGE OF BLOCK OR EDGE OF MORTAR JOINT INTO FACE SHELL OF BLOCK.
- INSTALLATION ANCHORS SHALL BE INSTALLED IN ACCORDANCE WITH ANCHOR MANUFACTURER'S INSTALLATION INSTRUCTIONS, AND ANCHORS SHALL NOT BE USED IN SUBSTRATES WITH STRENGTHS LESS THAN THE MINIMUM STRENGTH SPECIFIED BY THE ANCHOR MANUFACTURER.



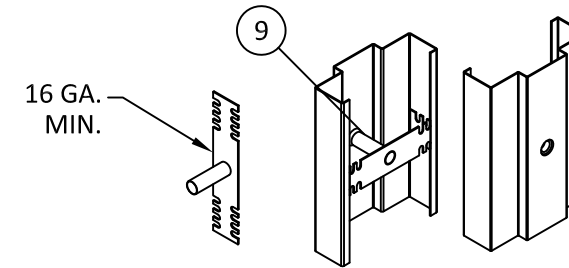
DETAIL CC
Z ANCHOR



DETAIL EE
EXISTING WALL ANCHOR (EWA)



DETAIL DD
COMBINATION WOOD/STEEL STUD ANCHOR



DETAIL FF
EXISTING WALL ANCHOR (EWA) TUBE

EWA TUBE ANCHOR SCHEDULE			
SUBSTRATE	ANCHOR TYPE	MIN. EMBEDMENT	MIN. EDGE DISTANCE
WOOD: MIN. S.G. = 0.55	3/8" LAG SCREW	3"	1"
STEEL: MIN. 18 GA. MIN. Fy = 33 ksi	3/8" GRADE 5 SELF-DRILLING/ SELF-TAPPING SCREW	3 THREADS MIN PENETRATION BEYOND METAL	1/2"
ALUMINUM: MIN. 1/8" THICK MIN. 6063-T5			
CONCRETE: MIN. f'c = 3000 psi	3/8" ITW TAPCON	1-1/2"	2-1/4"
	3/8" ITW DYNABOLT	1-1/2"	2-1/4"
MASONRY: CMU per ASTM C90 MIN. 2000 PSI	3/8" ITW TAPCON	1-1/2"	2-1/4"
	3/8" ITW DYNABOLT	1-1/2"	2-1/4"

Z ANCHOR SCHEDULE			
SUBSTRATE	ANCHOR TYPE	MIN. EMBEDMENT	MIN. EDGE DISTANCE
STEEL: MIN. 18 GA. MIN. Fy = 33 ksi	#10 GRADE 5 SELF-DRILLING/ SELF-TAPPING SCREW	3 THREADS MIN PENETRATION BEYOND METAL	1/2"
ALUMINUM: MIN. 1/8" THICK MIN. 6063-T5			

COMBINATION ANCHOR SCHEDULE			
SUBSTRATE	ANCHOR TYPE	MIN. EMBEDMENT	MIN. EDGE DISTANCE
WOOD: MIN. S.G. = 0.55	#10 WOOD SCREW	1-1/2"	1/2"
STEEL: MIN. 18 GA. MIN. Fy = 33 ksi	#10 GRADE 5 SELF-DRILLING/ SELF-TAPPING SCREW	3 THREADS MIN PENETRATION BEYOND METAL	1/2"
ALUMINUM: MIN. 1/8" THICK MIN. 6063-T5			

TITLE: OUTSWING DOUBLE & SINGLE
GLAZED STEEL DOOR
(HVHZ) (IMPACT)

INSTALLATION DETAILS & NOTES

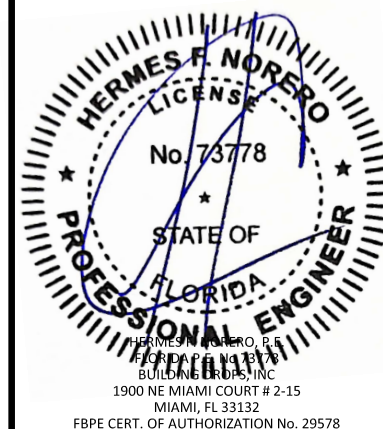
PREPARED BY: BUILDING DROPS, INC.

1900 NE MIAMI COURT, STE. 2-15
MIAMI, FL 33132
PH: (954)399-8478
FAX: (954)744-4738
WEB: www.buildingdrops.com



REMARKS	BY	DATE

THE INSTALLATION DETAILS DESCRIBED HEREIN ARE GENERIC AND MAY NOT REFLECT ACTUAL CONDITIONS FOR A SPECIFIC SITE. IF SITE CONDITIONS CAUSE INSTALLATION TO DEVIATE FROM THE REQUIREMENTS DETAILED HEREIN, A LICENSED ENGINEER OR ARCHITECT SHALL PREPARE SITE SPECIFIC DOCUMENTS FOR USE WITH THIS DOCUMENT.



FL46851

DATE: 05.28.24

DWG. BY: DI CHK. BY: HFN

SCALE: NTS

DWG. #: DLF003

SHEET:

11

OF 18

c:\users\dylanwata\building_drops, inc\building_drops landing - common\projects\de la fontaine\fbc-22-0614.1 - fbc submittal - hollow metal swing door is-cs\dwg\outsourcing glazed\dlf003.dwg 6/21/2024 4:02 PM

GASKETING DETAILS FOR WATER INFILTRATION



4115 BRODEUR STREET
SHERBROOKE, QC J1L1K4
PH: (819) 821-9230 FX: (819) 569-5928

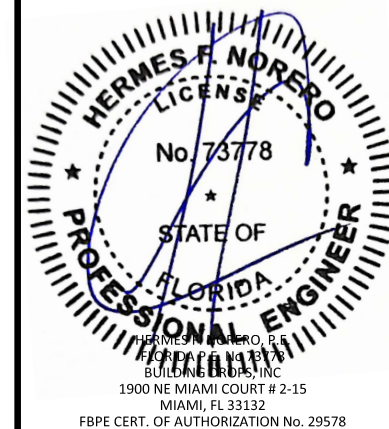
TITLE: OUTSWING DOUBLE & SINGLE
GLAZED STEEL DOOR
(HVHZ) (IMPACT)
GASKETING DETAILS FOR
WATER INFILTRATION

PREPARED BY:
BUILDING DROPS, INC.
1900 NE MIAMI COURT, STE. 2-15
MIAMI, FL 33132
PH: (954)399-8478
FAX: (954)744-4738
WEB: www.buildingdrops.com



REMARKS	BY	DATE

THE INSTALLATION DETAILS DESCRIBED HEREIN ARE GENERIC AND MAY NOT REFLECT ACTUAL CONDITIONS FOR A SPECIFIC SITE. IF SITE CONDITIONS CAUSE INSTALLATION TO DEVIATE FROM THE REQUIREMENTS DETAILED HEREIN, A LICENSED ENGINEER OR ARCHITECT SHALL PREPARE SITE SPECIFIC DOCUMENTS FOR USE WITH THIS DOCUMENT.



FL46851

DATE: **05.28.24**

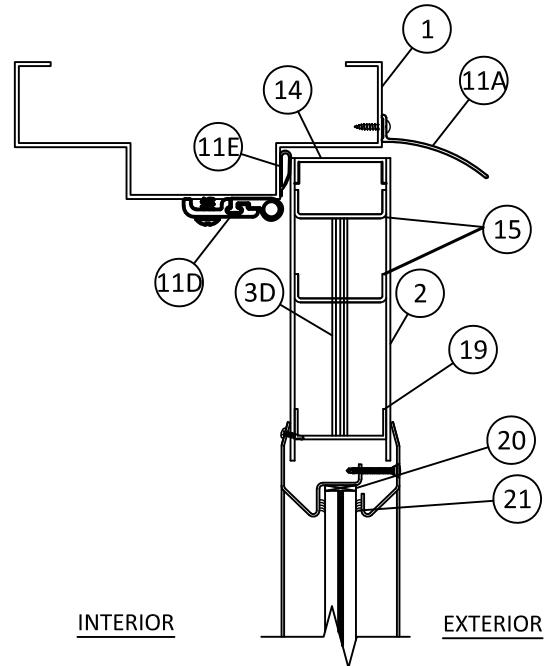
DWG. BY: **DI** CHK. BY: **HFN**

SCALE: **NTS**

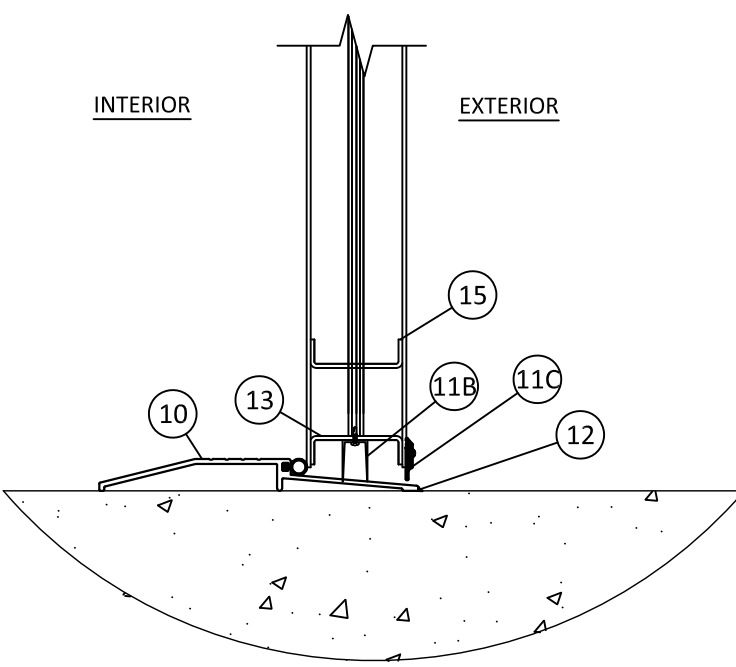
DWG. #: **DLF003**

SHEET:

12
OF 18

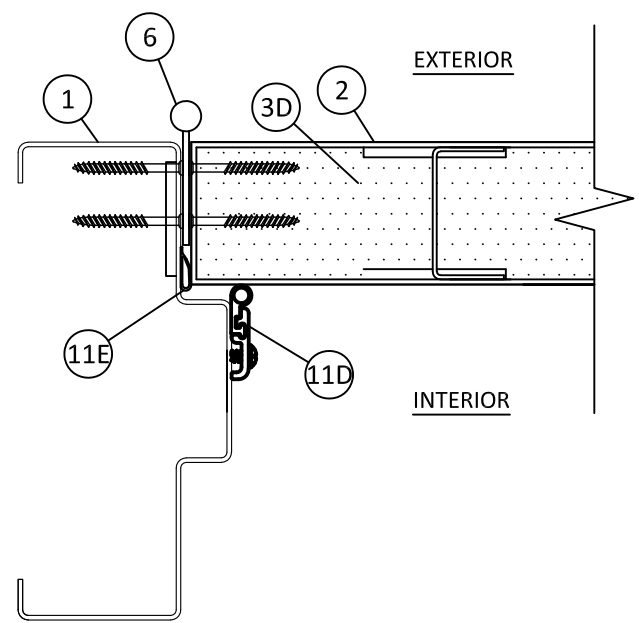


INTERIOR EXTERIOR



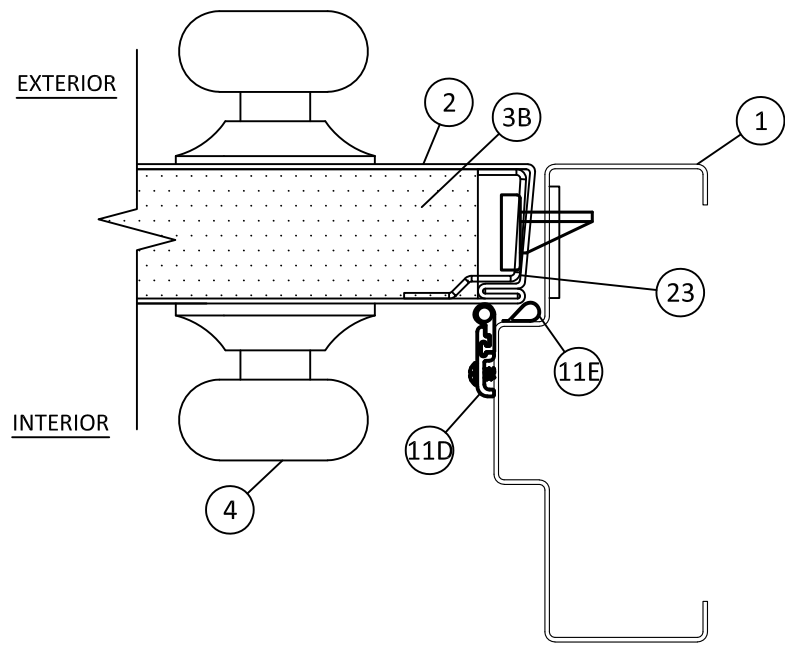
INTERIOR EXTERIOR

Z
12 **VERTICAL SECTION**
WATER INFILTRATION



EXTERIOR

INTERIOR



EXTERIOR

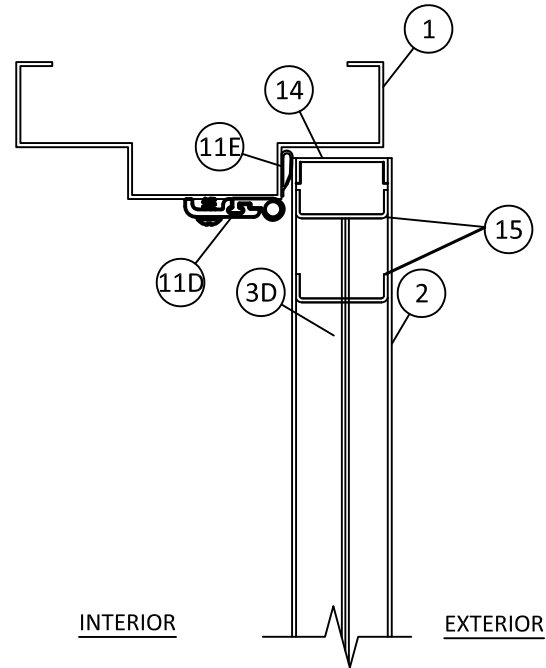
INTERIOR

AB
12 **HORIZONTAL SECTION**
WATER INFILTRATION

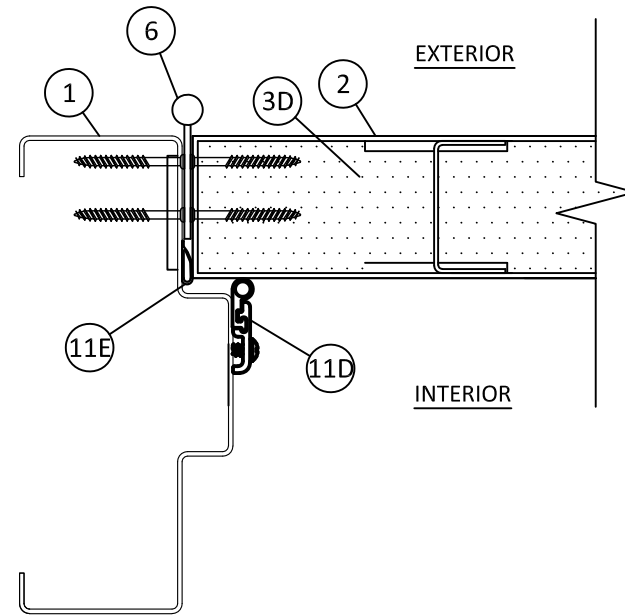
NOTE:
1. SEAL ALL JOINTS WHERE FRAME MEETS WALL WITH BUTYL RUBBER OR SILICONE CAULK.
2. INSTALL THRESHOLD INTO BEAD OF BUTYL RUBBER OR SILICONE CAULK.

c:\users\dylanwata\building_drops, inc\building_drops landing - common\projects\de la fontaine\bc-22-0614.1 - fbc submittal - hollow metal swing door is-cs\dwg\outsourcing glazed\dlf003.dwg 6/21/2024 4:02 PM

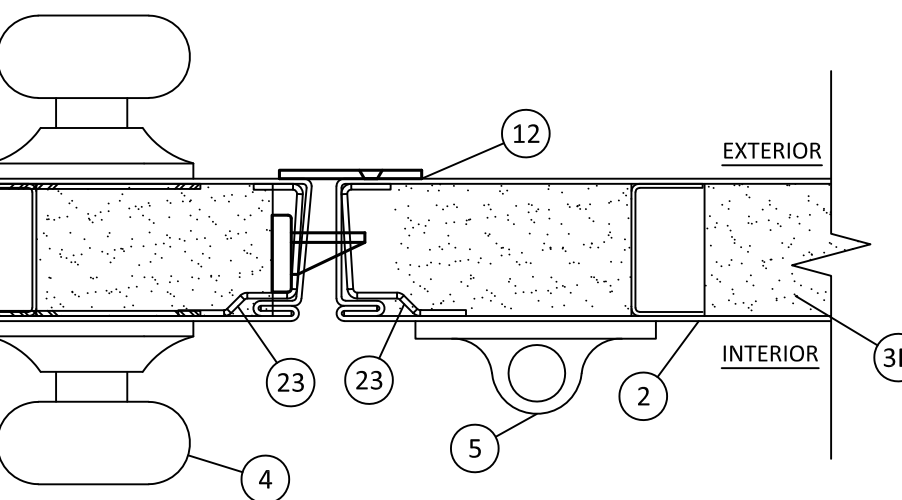
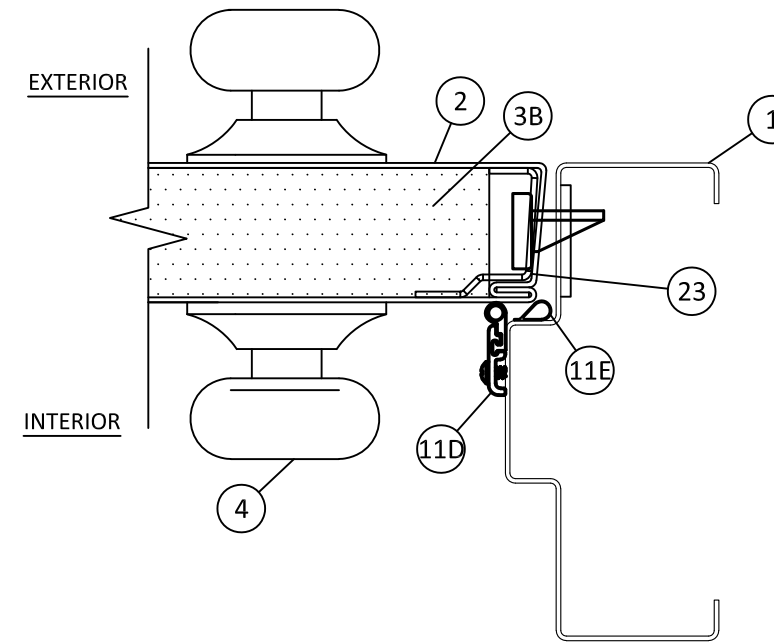
GASKETING DETAILS FOR AIR INFILTRATION



AC 13 **VERTICAL SECTION**
AIR INFILTRATION



AD 13 **HORIZONTAL SECTION**
AIR INFILTRATION



AE 13 **HORIZONTAL SECTION**
AIR INFILTRATION

- NOTE:**
1. SEAL ALL JOINTS WHERE FRAME MEETS WALL WITH BUTYL RUBBER OR SILICONE CAULK.
 2. INSTALL THRESHOLD INTO BEAD OF BUTYL RUBBER OR SILICONE CAULK.



4115 BRODEUR STREET
SHERBROOKE, QC J1L1K4
PH: (819) 821-9230 FX: (819) 569-5928

TITLE: OUTSWING DOUBLE & SINGLE
GLAZED STEEL DOOR
(HVHZ) (IMPACT)

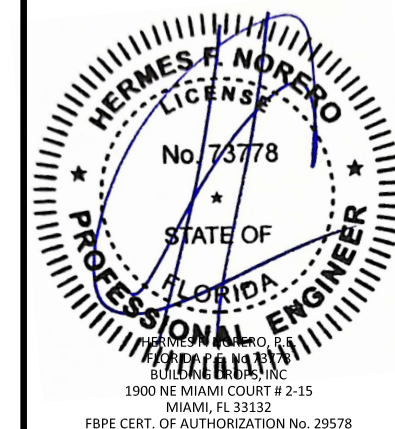
GASKETING DETAILS FOR
AIR INFILTRATION

PREPARED BY:
BUILDING DROPS, INC.
1900 NE MIAMI COURT, STE. 2-15
MIAMI, FL 33132
PH: (954) 399-8478
FAX: (954) 744-4738
WEB: www.buildingdrops.com



REMARKS	BY	DATE

THE INSTALLATION DETAILS DESCRIBED HEREIN ARE GENERIC AND MAY NOT REFLECT ACTUAL CONDITIONS FOR A SPECIFIC SITE. IF SITE CONDITIONS CAUSE INSTALLATION TO DEVIATE FROM THE REQUIREMENTS DETAILED HEREIN, A LICENSED ENGINEER OR ARCHITECT SHALL PREPARE SITE SPECIFIC DOCUMENTS FOR USE WITH THIS DOCUMENT.



FL46851

DATE: **05.28.24**

DWG. BY: **DI**

CHK. BY: **HFN**

SCALE: **NTS**

DWG. #: **DLF003**

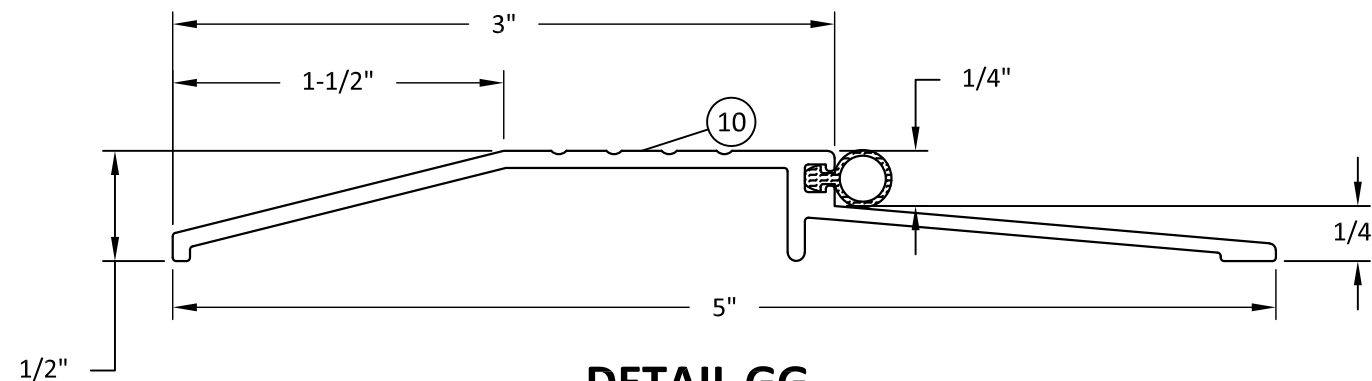
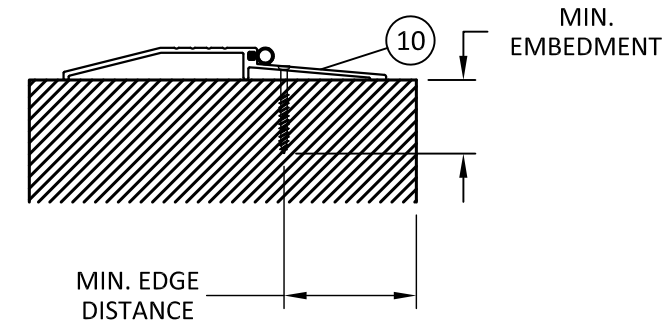
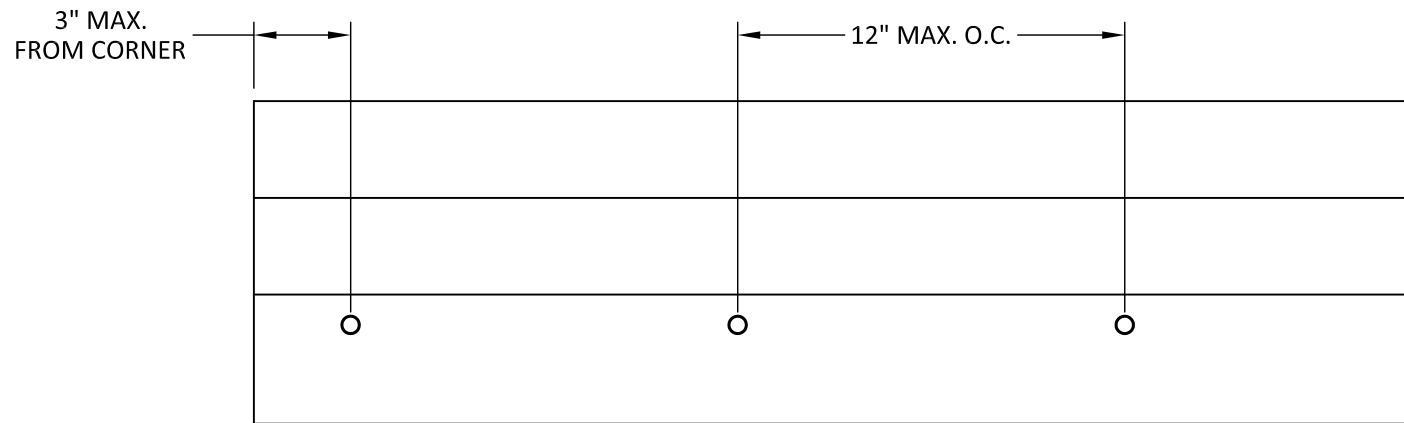
SHEET:

13

OF 18

c:\users\dylanwata\building_drops, inc\building drops landing - common\projects\de la fontaine\fb-22-0614.1 - fbc submittal - hollow metal swing door is-cs\dwg\outswing glazed\dlf003.dwg 6/21/2024 4:02 PM

THRESHOLD ANCHOR SCHEDULE			
SUBSTRATE	ANCHOR TYPE	MIN. EMBEDMENT	MIN. EDGE DISTANCE
WOOD: MIN. S.G. = 0.55	#14 WOOD SCREW	1-1/2"	3/4"
CONCRETE: MIN. f'c = 3000 psi	1/4" ITW TAPCON	1-1/4"	2-1/2"



DETAIL GG
NGP 950N THRESHOLD

TITLE: OUTSWING DOUBLE & SINGLE
GLAZED STEEL DOOR
(HVHZ) (IMPACT)

THRESHOLD DETAIL & ANCHOR LAYOUT

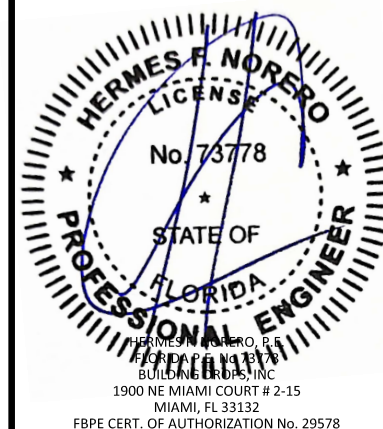
PREPARED BY:

BUILDING DROPS, INC.
1900 NE MIAMI COURT, STE. 2-15
MIAMI, FL 33132
PH: (954)399-8478
FAX: (954)744-4738
WEB: www.buildingdrops.com



REMARKS	BY	DATE

THE INSTALLATION DETAILS DESCRIBED HEREIN ARE GENERIC AND MAY NOT REFLECT ACTUAL CONDITIONS FOR A SPECIFIC SITE. IF SITE CONDITIONS CAUSE INSTALLATION TO DEVIATE FROM THE REQUIREMENTS DETAILED HEREIN, A LICENSED ENGINEER OR ARCHITECT SHALL PREPARE SITE SPECIFIC DOCUMENTS FOR USE WITH THIS DOCUMENT.



FL46851

DATE: 05.28.24

DWG. BY: DI

CHK. BY: HFN

SCALE: NTS

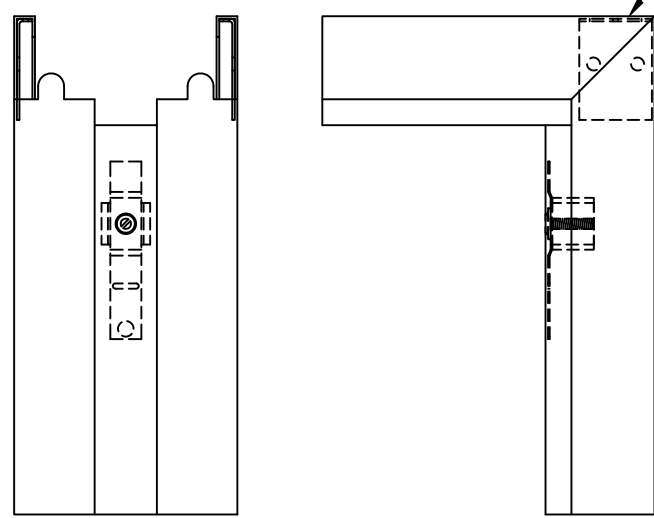
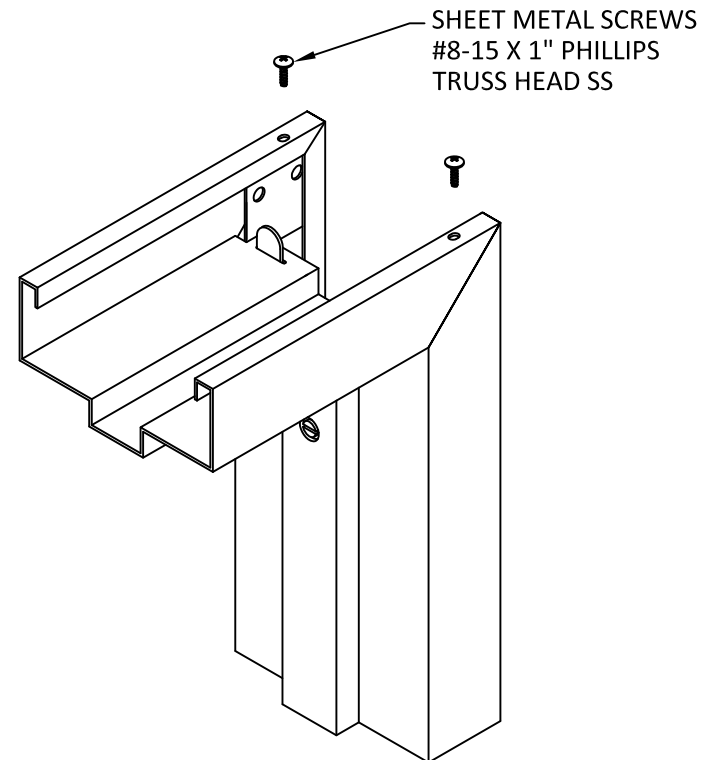
DWG. #: DLF003

SHEET:

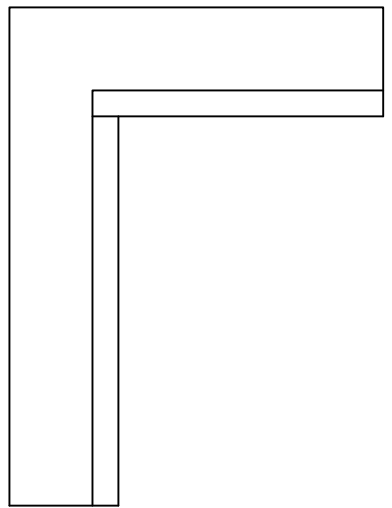
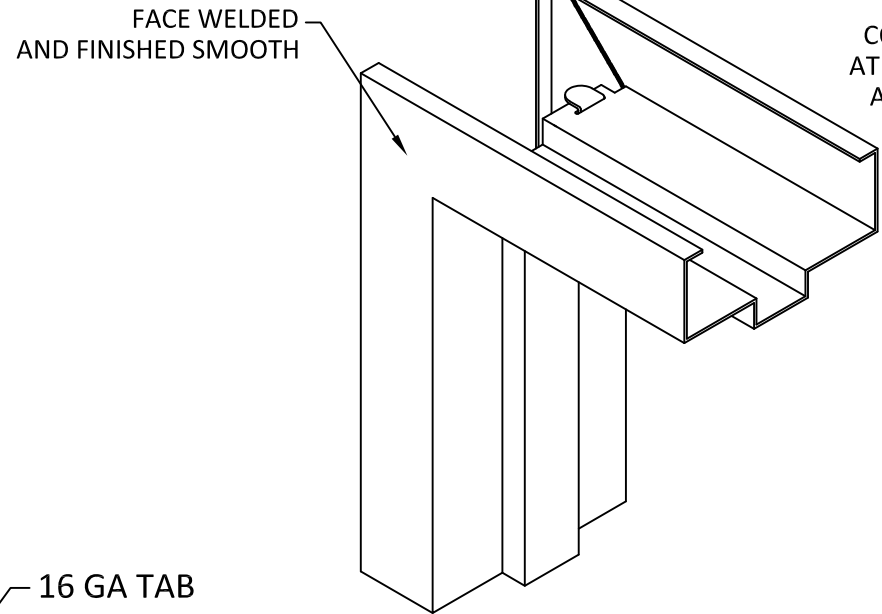
14

OF 18

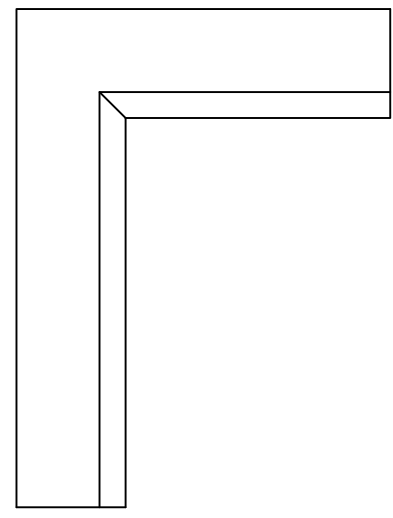
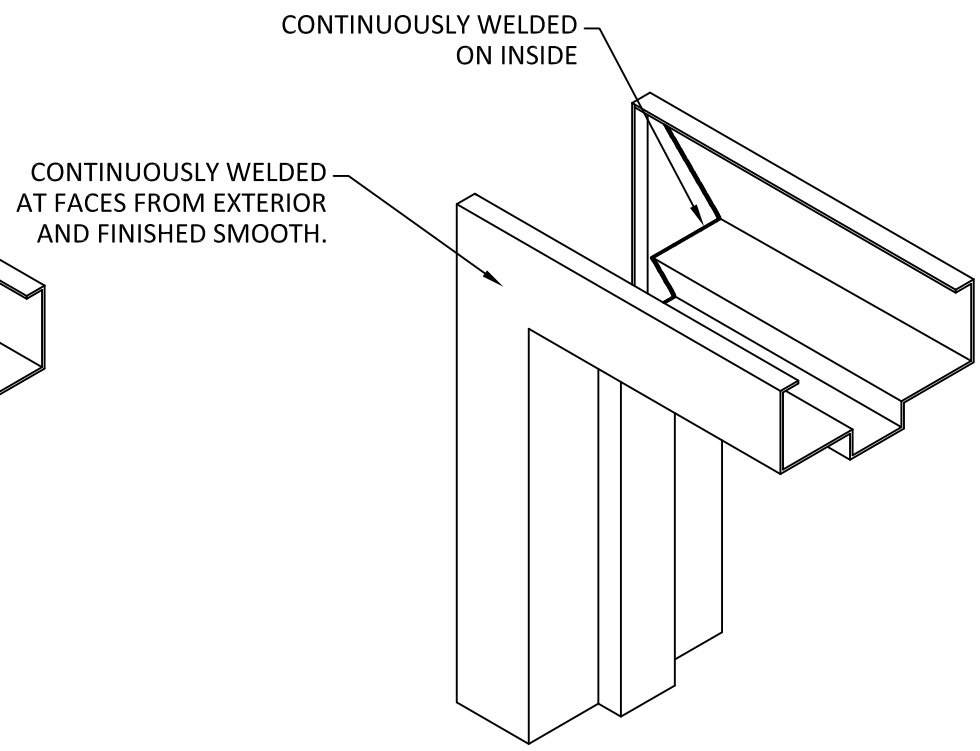
c:\users\dylanwata\building_drops, inc\building_drops landing - common\projects\de la fontaine\fbc-22-0614.1 - fbc submittal - hollow metal swing door is-cs\dwg\outswing glazed\dlf003.dwg 6/21/2024 4:02 PM



DETAIL HH
KNOCK DOWN CORNER CONSTRUCTION



DETAIL II
FACE WELDED CORNER CONSTRUCTION



DETAIL JJ
FULLY WELDED CORNER CONSTRUCTION



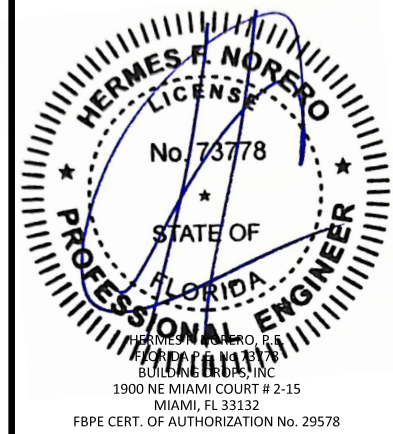
4115 BRODEUR STREET
SHERBROOKE, QC J1L1K4
PH: (819) 821-9230 FX: (819) 569-5928

TITLE: OUTSWING DOUBLE & SINGLE
GLAZED STEEL DOOR
(HVHZ) (IMPACT)
CORNER CONSTRUCTION

PREPARED BY: **BUILDING DROPS, INC.**
1900 NE MIAMI COURT, STE. 2-15
MIAMI, FL 33132
PH: (954)399-8478
FAX: (954)744-4738
WEB: www.buildingdrops.com

REMARKS	BY	DATE

THE INSTALLATION DETAILS DESCRIBED HEREIN ARE GENERIC AND MAY NOT REFLECT ACTUAL CONDITIONS FOR A SPECIFIC SITE. IF SITE CONDITIONS CAUSE INSTALLATION TO DEVIATE FROM THE REQUIREMENTS DETAILED HEREIN, A LICENSED ENGINEER OR ARCHITECT SHALL PREPARE SITE SPECIFIC DOCUMENTS FOR USE WITH THIS DOCUMENT.



1900 NE MIAMI COURT # 2-15
MIAMI, FL 33132
FBPE CERT. OF AUTHORIZATION No. 29578

FL46851

DATE: 05.28.24

DWG. BY: DI CHK. BY: HFN

SCALE: NTS

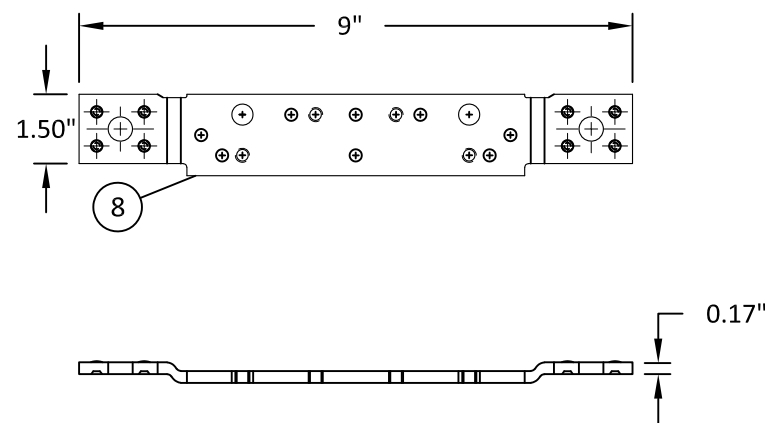
DWG. #: DLF003

SHEET:

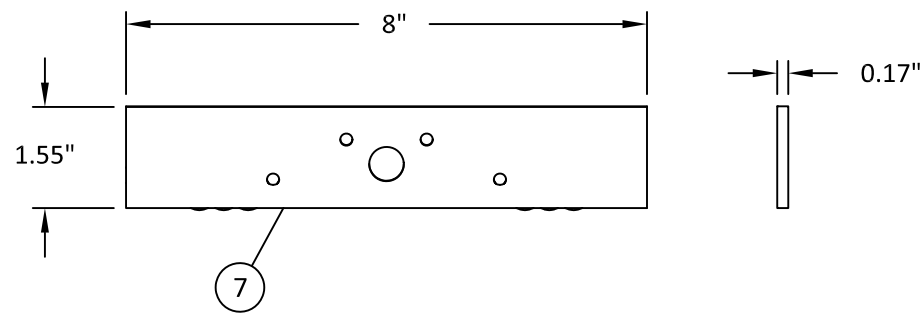
15

OF 18

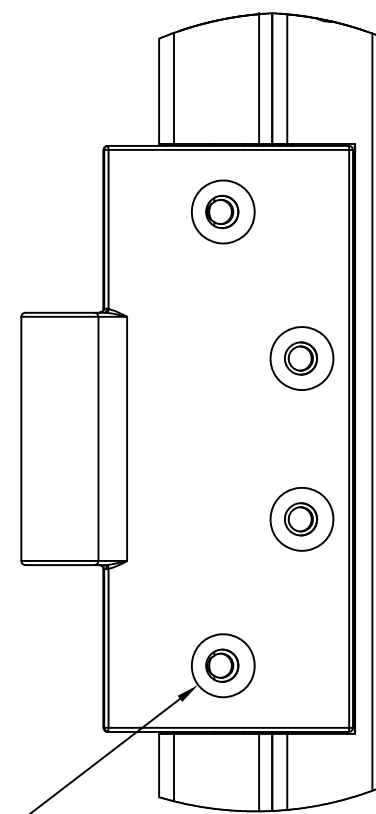
c:\users\dylanwata\building_drops, inc\building_drops landing - common\projects\de la fontaine\fbc-22-0614.1 - fbc submittal - hollow metal swing door is-cs\dwg\outspring_glazed\dlf003.dwg
6/21/2024 4:02 PM



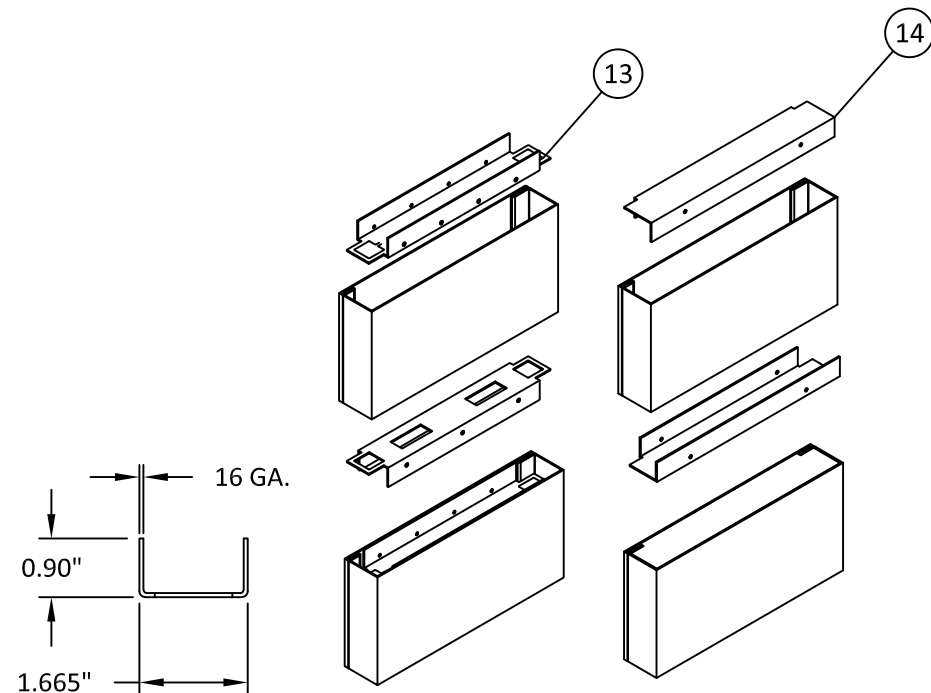
DETAIL KK
FRAME HINGE REINFORCEMENT



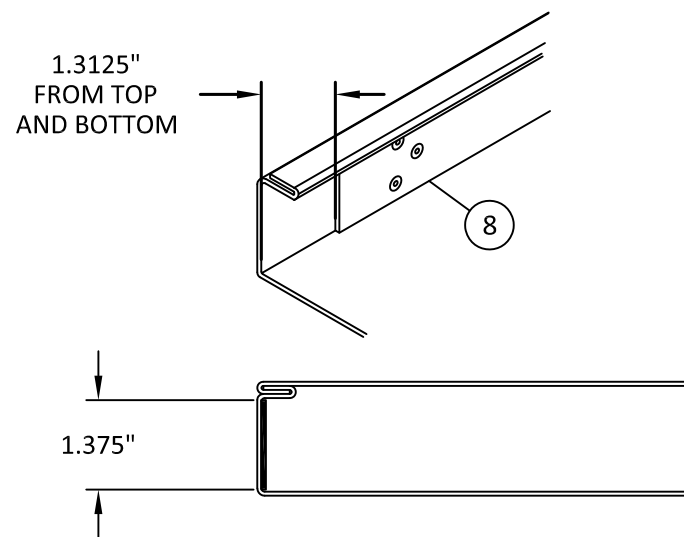
DETAIL LL
DOOR HINGE REINFORCEMENT
AND HINGE DETAIL



ATTACHED WITH FOUR (4) #12 ASSEMBLY SCREWS



DETAIL MM
END CHANNEL REINFORCEMENTS



DETAIL NN
DOOR & FRAME CONTINUOUS HINGE REINFORCEMENT
(OPTIONAL)

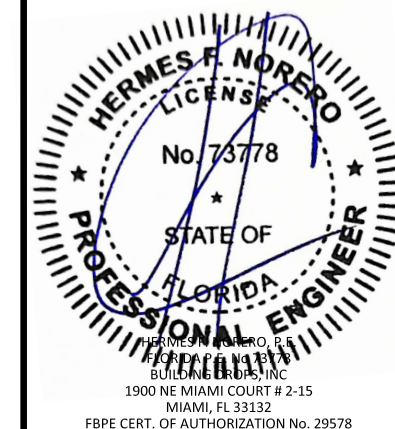
TITLE: OUTSWING DOUBLE & SINGLE
GLAZED STEEL DOOR
(HVHZ) (IMPACT)
REINFORCEMENTS

PREPARED BY:
BUILDING DROPS, INC.
1900 NE MIAMI COURT, STE. 2-15
MIAMI, FL 33132
PH: (954)399-8478
FAX: (954)744-4738
WEB: www.buildingdrops.com



REMARKS	BY	DATE

THE INSTALLATION DETAILS DESCRIBED HEREIN ARE GENERIC AND MAY NOT REFLECT ACTUAL CONDITIONS FOR A SPECIFIC SITE. IF SITE CONDITIONS CAUSE INSTALLATION TO DEVIATE FROM THE REQUIREMENTS DETAILED HEREIN, A LICENSED ENGINEER OR ARCHITECT SHALL PREPARE SITE SPECIFIC DOCUMENTS FOR USE WITH THIS DOCUMENT.



FL46851

DATE: **05.28.24**

DWG. BY: **DI** CHK. BY: **HFN**

SCALE: **NTS**

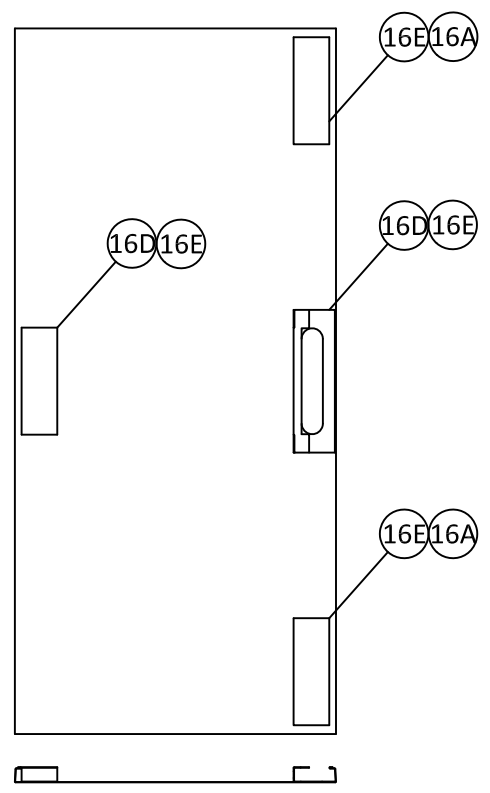
DWG. #: **DLF003**

SHEET:

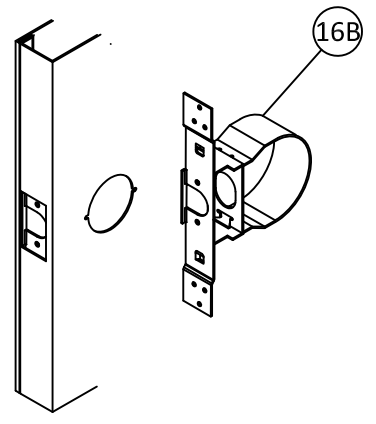
16

OF 18

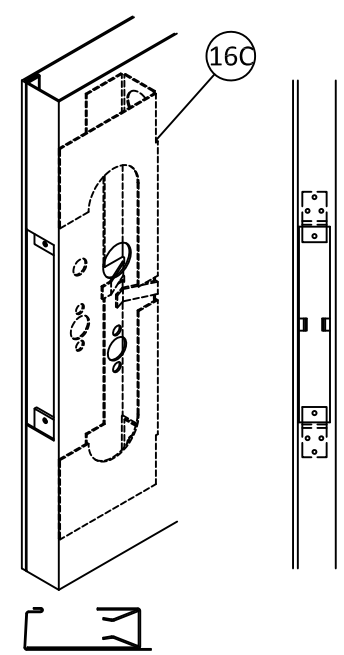
c:\users\dylanwata\building_drops, inc\building drops landing - common\projects\de la fontaine\bc-22-0614.1 - fbc submittal - hollow metal swing door is-cs\dwg\outswing glazed\dlf003.dwg 6/21/2024 4:02 PM



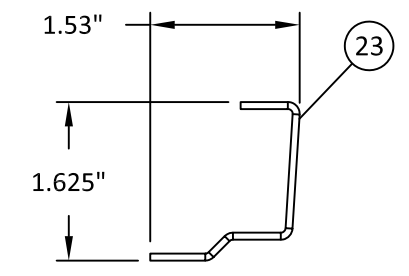
DETAIL OO
RIM EXIT DEVICE AND SURFACE VERTICAL ROD
LOCK REINFORCEMENT



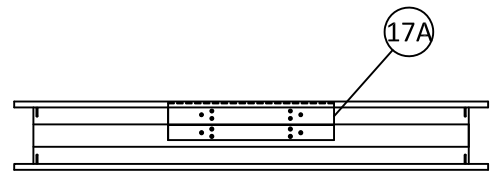
DETAIL PP
CYLINDRICAL LOCK REINFORCEMENT



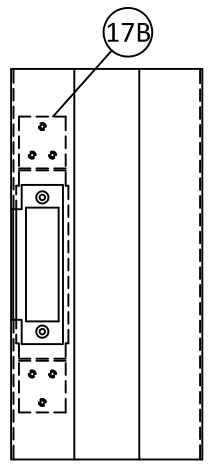
DETAIL QQ
MORTISE LOCK REINFORCEMENT



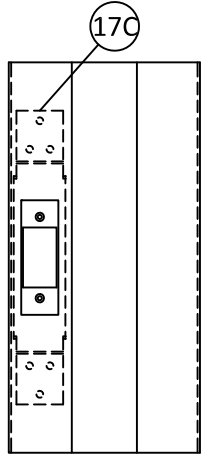
DETAIL RR
LOCK STILE REINFORCEMENT



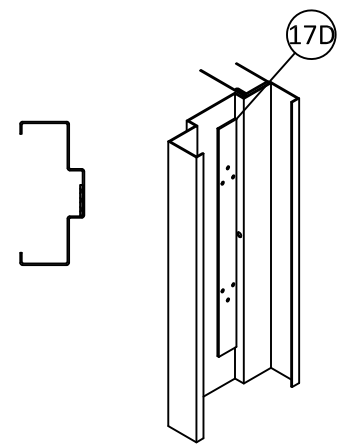
DETAIL SS
SURFACE BOLT
STRIKE REINFORCEMENT



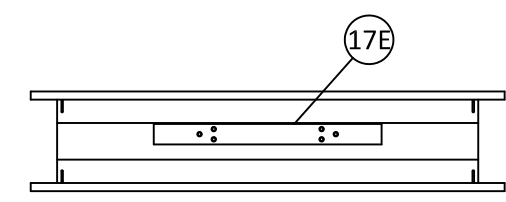
DETAIL TT
CYLINDRICAL LOCK
STRIKE REINFORCEMENT



DETAIL UU
MORTISE LOCK
STRIKE REINFORCEMENT



DETAIL VV
RIM EXIT DEVICE LOCK
STRIKE REINFORCEMENT



DETAIL WW
SURFACE VERTICAL ROD
LOCK STRIKE REINFORCEMENT

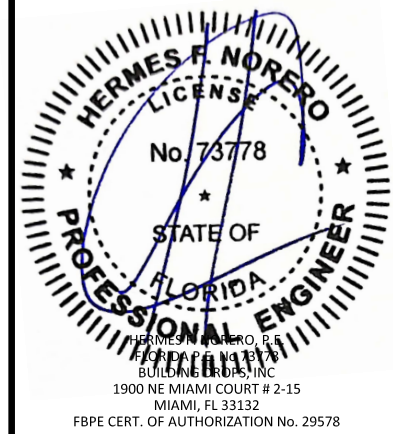
TITLE: OUTSWING DOUBLE & SINGLE
GLAZED STEEL DOOR
(HVHZ) (IMPACT)
REINFORCEMENTS

PREPARED BY:
BUILDING DROPS, INC.
1900 NE MIAMI COURT, STE. 2-15
MIAMI, FL 33132
PH: (954)399-8478
FAX: (954)744-4738
WEB: www.buildingdrops.com



REMARKS	BY	DATE

THE INSTALLATION DETAILS DESCRIBED HEREIN ARE GENERIC AND MAY NOT REFLECT ACTUAL CONDITIONS FOR A SPECIFIC SITE. IF SITE CONDITIONS CAUSE INSTALLATION TO DEVIATE FROM THE REQUIREMENTS DETAILED HEREIN, A LICENSED ENGINEER OR ARCHITECT SHALL PREPARE SITE SPECIFIC DOCUMENTS FOR USE WITH THIS DOCUMENT.



FL46851

DATE: **05.28.24**

DWG. BY: **DI** CHK. BY: **HFN**

SCALE: **NTS**

DWG. #: **DLF003**

SHEET:

17

OF 18

c:\users\dylanwata\building_drops, inc\building_drops landing - common\projects\de la fontaine\bc-22-0614.1 - fbc submittal - hollow metal swing door ls-cs\dwg\outswing_glaze\dlf003.dwg 6/21/2024 4:02 PM

BILL OF MATERIAL		
NO.	DESCRIPTION	MATERIAL
1	FRAME - 5-3/4" MIN. DEPTH	16 GA. MIN. A40/A60/G90 GALV. STEEL
1A	OPTIONAL 4" HEADER FRAME - 5-3/4" MIN. DEPTH	16 GA. MIN. A40/A60/G90 GALV. STEEL
2	DOOR LEAF PANEL SKIN	18 GA. MIN. A40/A60/G90 GALV. STEEL SHEETS
3	CORE MATERIAL:	
	A) HONEYCOMB	
	B) POLYSTYRENE	
	C) POLYURETHANE	
	D) STEEL STIFFENED (POLYSTYRENE OR POLYURETHANE)	
4	LOCKING HARDWARE - SEE SHEET 1	
5	SURFACE BOLT - IVES 360 OR SARGENT 998	STEEL
6	4.5" MIN. BUTT HINGES SEE SHEET 1 NOTE 1.6	0.134" MIN. STEEL/BRASS
	OPTIONAL CONTINUOUS HINGE SEE SHEET 1 NOTE 1.6	ALUMINUM
7	DOOR HINGE REINFORCEMENTS	7 GA. STEEL
8	FRAME HINGE REINFORCEMENT	3/16" X 10" - 7 GA. STEEL
9	JAMB ANCHORS SEE SHEET 10 & 11	
	Z	18 GA. MIN. STEEL
	COMBINATION WOOD/STEEL STUD EXISTING WALL ANCHOR (EWA)	
	EXISTING WALL ANCHOR (EWA) - TUBE	16 GA. MIN. STEEL
	MASONRY WIRE	-
	MASONRY T	-
	ADJUSTABLE/WELDED JAMB BASE	12 GA. STEEL
10	NGP 950N THRESHOLD WITH BUMPER GASKET	1/16" MIN. ALUMINUM
11	WEATHERSTRIPPING	
	A) NGP 16A RAIN DRIP	6063-T5 ALUMINUM
	B) NGP 331 DOOR SHOE	6063-T5 ALUMINUM / PPE / TPV
	C) NGP 200NA DOOR SWEEP	6063-T5 ALUMINUM / EPDM RUBBER / PPE
	D) NGP 137NA PERIMETER SEAL	SILOXANE
12	CAULK	SILICONE OR BUTYL RUBBER
13	ST END CHANNEL	16 GA. STEEL
14	FWC END CHANNEL	16 GA. STEEL
15	HORIZONTAL REIN. CHANNELS	STEEL
16	DOOR LOCK REINFORCEMENT SEE SHEET 17	
	A) SURFACE BOLT REINFORCEMENT	16 GA. MIN. STEEL
	B) CYLINDRICAL LOCK REINFORCEMENT	16 GA. MIN. STEEL
	C) MORTISE LOCK REINFORCEMENT	16 GA. MIN. STEEL
	D) RIM EXIT DEVICE REINFORCEMENT	16 GA. MIN. STEEL
E) SURFACE VERTICAL RODS REINFORCEMENT	16 GA. MIN. STEEL	
17	FRAME LOCK STRIKE REINFORCEMENT SEE SHEET 17	
	A) SURFACE BOLT STRIKE REINFORCEMENT	16 GA. MIN. STEEL
	B) CYLINDRICAL STRIKE REINFORCEMENT	16 GA. MIN. STEEL
	C) MORTISE STRIKE REINFORCEMENT	16 GA. MIN. STEEL
	D) RIM EXIT STRIKE REINFORCEMENT	16 GA. MIN. STEEL
E) SURFACE VERTICAL ROD STRIKE REINFORCEMENT	16 GA. MIN. STEEL	
18	FLAT ASTRAGAL	STEEL
	Z ASTRAGAL	STEEL
19	LITE KIT CHANNEL	STEEL
20	GLAZING TAPE	BUTYL RUBBER
21	DOW CORNING DOWSIL 995	SILICONE
22	VON DUPRIN HH9954 MULLION	-
	CORBIN RUSSWIN FE707A MULLION	-
23	LOCK STILE REINFORCEMENT	STEEL



4115 BRODEUR STREET
SHERBROOKE, QC J1L1K4
PH: (819) 821-9230 FX: (819) 569-5928

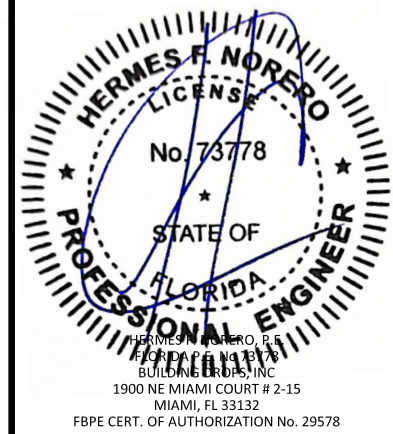
TITLE: OUTSWING DOUBLE & SINGLE
GLAZED STEEL DOOR
(HVHZ) (IMPACT)
BILL OF MATERIAL

PREPARED BY:
BUILDING DROPS, INC.
1900 NE MIAMI COURT, STE. 2-15
MIAMI, FL 33132
PH: (954) 359-8478
FAX: (954) 744-4738
WEB: www.buildingdrops.com



REMARKS	BY	DATE

THE INSTALLATION DETAILS DESCRIBED HEREIN ARE GENERIC AND MAY NOT REFLECT ACTUAL CONDITIONS FOR A SPECIFIC SITE. IF SITE CONDITIONS CAUSE INSTALLATION TO DEVIATE FROM THE REQUIREMENTS DETAILED HEREIN, A LICENSED ENGINEER OR ARCHITECT SHALL PREPARE SITE SPECIFIC DOCUMENTS FOR USE WITH THIS DOCUMENT.



FL46851

DATE: **05.28.24**
DWG. BY: **DI** CHK. BY: **HFN**
SCALE: **NTS**
DWG. #: **DLF003**

SHEET:
18
OF 18